



We are KARCHER DESIGN



As an owner-managed family business, Karcher Design is now in the hands of the second generation. Our approximate 90 employee workforce create and deliver products with clear aesthetics and timeless design.

“We are always passionate about improving, developing and expanding our product range. This is why we have devoted ourselves to increasing the sustainability of our products.”

Founded in 1991, our parents Irmgard and Ulrich Karcher laid the foundations for our strong market position far beyond the borders of Germany. The high-quality Karcher Design products offer a huge range of possible combinations – our Karcher Design variety.

Various types of roses and door locking systems are available to choose from. Our three-piece standard rose in round or square, as well as the exclusive 3 mm thick Plan Design rose, also in round or square, ensure a clear aesthetic – surface mounted or milled-in. Our award-winning “Mission Invisible” is a minimalist addition to the range as a mini rose version with a subtle appearance.

The “push for privacy” design concept includes KD Basic (independent of the lock) and KD Comfort (handle-lock combination can be combined with over 70 handle models). In the commercial sector, the stainless steel performance rose rounds off our variety with quick installation and high certification classes.

Isabel and Jan Karcher



SUSTAINABILITY

Karcher Design lives and develops sustainability. As a family company, we want to make our contribution and show consideration for future generations and the environment.

We see great importance in longevity – guaranteed by our high quality – as well as to general environmental protection in relation to the packaging and shipping of our products. The very environmentally friendly electrostatic coating process of our award-winning color Cosmos Black and our plastic-free packaging speak for sustainability at Karcher Design.

“As a company, we feel obliged to do our part for a green planet. That is why we pay attention to sustainability in all areas”

– Isabel Karcher

SOCIAL RESPONSIBILITY

The social responsibility of our company towards our employees and society itself is very important to us. As a company, we bear social responsibility in terms of sustainable management.

We take into account the various areas of social responsibility and strive to promote the common good of society.

Karcher Design focuses on value-oriented human resources management, commitment in the social environment and the code of conduct in our company.

EQUALITY

Equal treatment plays a very important role for us. Karcher Design pays attention to equal rights for all employees, equal working conditions and promotion opportunities for everyone – regardless of origin, gender, age, physical or mental limitations, religion or sexual orientation.



KARCHER DESIGN

Test laboratory – tested quality right from the start

At our in-house testing facility, we test according to strict criteria in order to guarantee certified quality, and for the continuous improvement of our products.

Longevity, resilience and a consistent look are the focus criteria.

Our aim is to exceed the requirements of the standard and thus provide our customers with a product of consistently high quality.



DESIGNS OF STAINLESS STEEL

TABLE OF CONTENTS

DOOR HANDLES

VARIETY FROM KARCHER DESIGN

ER14 Iceland	114	R220 Chicago	120
ER17 Crete XL	110	R230 Denver	120
ER18 Rhodos XL	109	R250 Antalya	121
ER19 Jersey	110	R260 Schöntal	124
ER20 Kos	108	R270 Montmartre	125
ER21 Manhattan	116	R38 Starlight	56
ER22 Elba	111	R40 Phoenix	122
ER24 Korfu	52	R42 Orlando	121
ER25 Malta	115	R473 Gent	122
ER26 Sylt	63	R53 Torino	76
ER27 Crete	112		
ER28 Rhodos	36		
EPL28 Rhodos Plan Design	104	KD COMFORT / KD BASIC	66
ER29 Cyprus	117	MISSION INVISIBLE	96
ER30 Corsica	62	PLAN DESIGN	100
		THREE PIECE ROSE SYSTEM	107
ER31 Tasmania	90	GLASS DOOR LOCKS	126
ER32 Babylon	123	SECURITY LEVER SET	134
ER34 Rio Steel	60	SECURITY ROSES	136
ER35 Lignano Steel	58	KNOBS	138
ER36 Atlantis	123	PERFORMANCE ROSE	142
ER37 Verona	48	PRODUCTS FOR FRAME DOORS	146
ER43 Porto	92	LEVER HANDLES ON PLATE	148
ER45 Madeira	42	PULL HANDLES	150
ER46Q Seattle	28	WINDOW HANDLE	160
EPL46Q Seattle Plan Design	105	LIFT AND SLIDE DOOR HANDLES	162
ER47Q Portland	93	LOCKS	164
ER48 Oregon	84	POCKET DOOR SET	166
ER51 London	64	ROSES AND ESCUTCHEONS	168
ER52Q Milano	82	ACCESSORIES	170
ER54 Montana	18	SLIM STYLE	176
ER55 Paris	24		
ER56 Madrid	65		
ER57 Soho	94		
ER58Q Boston	95		
ER65 New York	61		
ER79 Stockholm	119		
ER87 Las Vegas	86		
ER88 Nevada	88		
EPL86 Tower	102		
EPL96 Kent	103		



STADIUMS



EDUCATION SECTOR



OFFICE

COMMERCIAL SECTOR

In public buildings, such as schools or shopping centers, doors are opened to visitors more than a hundred times a day. Next to the design aspect, the fittings must also meet the highest quality and durability requirements.

Our handles are certified according to DIN EN 1906 category of use 3 and 4, and are therefore suitable for buildings with high visitor frequency. You will also find fire protection products or, for example, products for burglary resistance in our range.



RESEARCH CENTRE



RESIDENTIAL SECTOR

In order to furnish an exclusive interior, you have to coordinate all the elements in the room, including KARCHER DESIGN fittings made of high-quality stainless steel. Our products go through an extensive range of tests before they are sold, which lets us maintain our high quality standard. Whether extravagant shapes, unique colors, door handles with integrated locking or handles with over 100 different possible combinations, we'll help you find the right design for every interior.





HOTELS

The art of creating a place where everyone feels at home – that is exactly what good hotels are all about. Our handle models complete the design concept while withstanding the stress requirements.

Thanks to technologies such as the 3-piece rose, our products not only provide the aesthetics, but also a high level of quality and durability. We offer a wide range of products and variations, making it easy to match any architectural style.

If you want to convey a feeling of luxury, aesthetics and quality just by touching the handle when entering the room, then choose KARCHER DESIGN.

More references at www.karcher-design.co.uk



VARIETY FROM KARCHER DESIGN

INTERIOR DOORS

At KARCHER DESIGN you have the choice between the key escutcheon and the new KD-Comfort solution.



WINDOWS

We offer matching window handles for your door fittings. Whether oval or rectangular, in various colors, or lockable as a security option.



BATHROOM DOORS

Whether with a conventional bolt, a red/white display, as a barrier-free accessible option, or as a KD-Comfort solution with a pin. At KARCHER DESIGN you will find the optimal solution for your bathroom door.



A HANDLE FOR EVERY SITUATION

HOME AND ENTRY DOORS

Your home is important to us. That is why we at KARCHER DESIGN offer a wide range of security products in addition to our standard euro-cylinder escutcheons. These are tested for burglary resistance and certified according to DIN 18257 or EN 1627. Security with design, because almost all of our door handle models can be combined with our security sets. KARCHER DESIGN also offers a range of accessories for the entrance area, such as house numbers and doorstops.



FIRE DOORS

Fire doors are used for openings in firewalls to prevent fires from spreading. Depending on local ordinances, fire protection doors may be mandatory in boiler rooms, in public buildings, as emergency exits or in corridors with a length of more than 30 meters. Matching fire protection fittings are a necessity. At KARCHER DESIGN, the selection of fire protection fittings is large. You don't have to do without the design here either: you can choose from more than 25 fire rated door handle models.



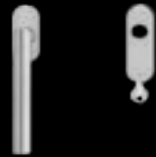
DESIGNS OF STAINLESS STEEL

INTERIOR DOORS



Lever sets with keyhole (BB) or without escutheons (OS)

WINDOWS



Window handles / Window handles lockable with key

BATHROOM DOORS



Lever sets for Bathroom doors (BAD, turn/release)

KD•*BASIC*
push for privacy



KD•*COMFORT*
push for privacy



Two solutions for your privacy in bedroom or bathroom. "push for privacy" by pushing the pin.

ACCESSOIRES



Door stops

ENTRY DOORS



security lever sets



Lever sets with europrofile cylinder (PZ)



Pull handles



Security roses



House numbers

FIRE SAFETY DOORS



Europrofile cylinder (PZ)



Lever sets with fixed knob – turnable handle (WGL/WGR)



Lever sets for frame doors



Performance Rose

CERTIFICATION

DIN EN 1906

This European standard determines demands and testing procedures for handle sets and security handle sets with regard to their strength, security, corrosion resistance, and overall durability. The standard classifies the levers in the following 8 application categories:

1. Category of Use

The "Category of Use" is divided into 4 classes which indicate both the intended frequency of use and resistance to abuse. In accordance with these categories, the requirements are classified as follows:

1. Category of Use

2. Durability

3. Door mass

4. Fire resistance

5. Safety of persons

6. Corrosion resistance

7. Security

8. Type of Operation

Category of Utilisation	Tensile testing				Torque testing		Description
	Tensile stress (N)	Permanent deformation after test (mm)	Free play in resting position (mm)	Angular play (mm)	Torque load (Nm)	Permanent deformation after test (mm)	
GK1	300	≤ 2	≤ 10	≤ 10	20	≤ 5	Medium actuation frequency. Minimal risk of misapplication e.g. interior doors of living rooms
GK2	500	≤ 2	≤ 10	≤ 10	30	≤ 5	Medium actuation frequency. Medium risk of misapplication e.g. interior doors of offices
GK3	800	≤ 2	≤ 6	≤ 5	40	≤ 5	Frequent usage, high risk of misapplication e.g. doors in public offices
GK4	1000	≤ 2	≤ 6	≤ 5	60	≤ 5	Exposed to frequent violent impacts e.g. public toilettes, soccer stadiums

2. Durability

Two durability classes are determined: Class 6: medium actuation frequency: 100 000 test cycles Class 7: high actuation frequency: 200 000 test cycles

3. Door mass

This is not defined according to EN 1906.



CERTIFICATION

4. Fire resistance*

CLASS 0: no fire resistance.

CLASS A: suitable for installation on smoke protection doors.

CLASS A1: suitable for installation on smoke protection doors, with 200 000 test cycles on a test door.

CLASS B: suitable for installation on fire and smoke protection doors.

CLASS B1: suitable for installation on fire and smoke protection doors, with 200 000 test cycles proofed on one test door.

CLASS C: suitable for installation on fire and smoke protection doors with requirements on fire prevention inserts in the plate, door rose and key rose.

CLASS C1: suitable for installation on fire and smoke protection doors with requirements on fire prevention inserts in the plate, door rose and key rose, with 200 000 test cycles on a test door.

CLASS D: suitable for installation on fire and smoke protection doors with an additional requirement for a special handle core in the door handle/knob.

CLASS D1: suitable for installation on fire and smoke protection doors with an additional requirement for a special handle core in the door handle/knob, with 200 000 test cycles on a test door.

* In Germany regulated by DIN18273

6. Corrosion resistance

Six classes of corrosion resistance are determined according to EN 1670-2007:

CORROSION CLASS	0	1	2	3	4	5
Duration of the salt spray test according to EN ISO 9227 without corrosion appearance (h)	-	24	48	96	240	480
	no performance defined	minimal corrosion resistance	medium corrosion resistance	high corrosion resistance	extra high corrosion resistance	extremely high corrosion resistance

7. Security

Five classes of burglar-resistance are determined:

CLASS 0: no performance defined

CLASS 1: minimal burglar-resistance

CLASS 2: medium burglar-resistance

CLASS 3: high burglar-resistance

CLASS 4: extreme burglar-resistance

5. Safety of persons

According to EN 1906 the test for the safety of people is optional. This test is suggested for sets that are installed, for example, on fall prone doors, e.g. in stairwells.

CLASS 0: normal usage

CLASS 1: safety application

Safety for persons	Corresponding tensile stress (N)
GK1	1500
GK2	1500
GK3	2500
GK4	2500

8. Type of Operation

A: with spring support

B: with spring preload

U: unsprung

OVERVIEW OF INDUSTRIAL STANDARDS



DIN EN 179

This standard classifies the requirements for construction, suitability of use and testing procedure for emergency exit devices with levers or pull plates on doors in emergency escape areas. This ensures that all persons can leave the building safely during evacuation. The emergency exit devices always consist of a door handle fitting and lock. Both handle and lock must be tested and certified as a unit and be provided with a CE-conformity mark. KARCHER DESIGN levers have been certified with BKS-locks. These tests are repeated periodically every 6 months.

DIN 18257

The national standard DIN 18257 regulates the dimensional requirements, test requirements and marking of security products. Security fittings of this standard are intended to protect locking components of locks and profile cylinders against mechanical manipulation. Security fittings according to this standard are divided into four resistance classes (ES0 to ES3) with regard to burglary resistance, from which the user can choose depending on the protection required. The comparability of the classes according to DIN 18257 and DIN EN 1906 is shown in the table below.



DIN 18273

The standard DIN 18273 applies to door handle sets which are used in conjunction with fire and smoke doors. The standard defines if the materials and the constructive assembly of the handle sets is done in such a way that the fire/smoke resistance of the door is not disturbed by frequent use. The KARCHER-DESIGN door levers are randomly checked according to well defined guidelines. All KARCHER-DESIGN stainless steel handles are suitable for use in DIN 18273 certified handle sets.

Requirements / Classes

DIN EN 1906

SK 1	SK 2	SK 3	SK 4
------	------	------	------

DIN 18257

ES 0	ES 1	ES 2	ES 3
------	------	------	------

Strength of the plates (kN)	7	10	15	20
Max. bend (mm)	5	5	5	5
Strength of fasteners (kN)	10	15	20	30
Max. Deformation (mm)	2	2	2	2
Drilling resistance (minutes)	-	≥ 0,5	≥ 3	≥ 5
Chisel resistance (pendulum impacts)	-	3	6	12
Strength of the cylinder cover (kN)	-	10	15	20



STANDARD PRODUCTS

ER 3 piece*	3	7	-	B**	0	3	0	B
ER-EN 3 piece*	4	7	-	B**	1	3	0	B
EPL Plan Design*	3	7	-	0	0	3	0	U
E Slim Style	3	7	-	0	0	3	0	B
EPRO*	4	7	-	0	1	3	0	B
EL*	3 / 4	7	-	0	0 / 1	3	0	U

Category of Use | Durability | Door mass | Fire resistance | Safety of persons | Corrosion resistance | Security | Type of Operation

SECURITY LEVERS

ESG 675*	4	7	-	0	1	3	2	U
ESGR 680*	4	7	-	0	1	0	3	U

Category of Use | Durability | Door mass | Fire resistance | Safety of persons | Corrosion resistance | Security | Type of Operation



* Karcher Design fire rated products are tested and certified in Germany according to DIN 18273

** Fire resistance B: steel or stainless steel mounting plate, without BB escutcheon

COSMOS BLACK

The color as a prizewinner



The Cosmos Black product line is not only well received by customers, it is also valued and frequently used by architects. Cosmos Black has already won over renowned architects such as Saguez & Partners, Quadrilatère and Architecture Studio.

The finish is applied as a powder coating to the stainless steel base material. The electrostatic coating process is environmentally friendly, the result is high quality. The particularly soft, matte black surface feels and looks good, and couples high quality with outstanding design.

Projects such as Christian Dior Parfum and WeWork Office in Paris or the Hotel Kimpton DeWitt in Amsterdam show that Karcher Design door handles can be used readily in buildings with high levels of public traffic and thus optimally combine modern design and functionality.



reddot award 2019
winner

MISSION INVISIBLE

Minimalist design with a big impact



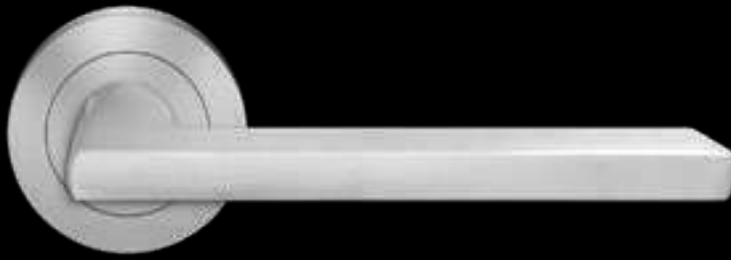
Our new "Mission Invisible" collection was already nominated for the Callwey Award in May 2021 and received it in the "Solution of the Year 2021" category in October 2021. But it's not just about one award.

The Muuz International Awards (MIAW) annually honor the most outstanding products in the construction, landscape and decoration sectors. This year's nominated products were assessed and divided into four main criteria: design, originality, usefulness and technology.

Our product range, consisting of the newly developed mini rose and the combinable design models Soho, Boston and Brooklyn, was once again able to convince in all four main criteria and was then awarded the MIAW Award 2021 in the interior design category.

KARCHER DESIGN

Prize winning door handle models



Montana ER54 – Studio Karcher

High-quality stainless steel and the deliberate geometries of angular and rounded shapes give the Montana ER54 door handle its unique design.

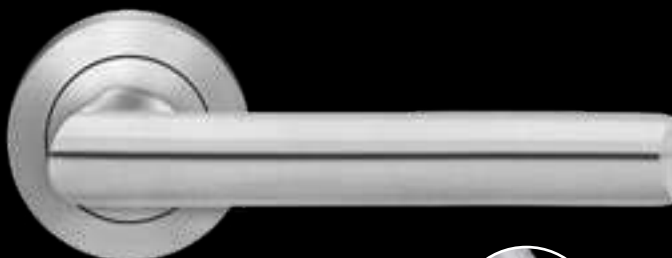
MIAW AWARD WINNER 2019
Category – Interiors



Las Vegas ER87 – Itamar Harari

"I believe in good design for everyone, not just the selective elite. I believe in design as an interpretation of indulgence."
– Itamar Harari, Las Vegas Door Handle Designer

GERMAN DESIGN AWARD SPECIAL 2019
Category – Building & Elements



Paris ER55 – Itamar Harari

Designed by Itamar Harari, the Paris ER55 combines ergonomics and design at the highest level and is available in matte stainless steel and cosmos black.

GERMAN DESIGN AWARD 2021
Category – Building & Elements

CALLWEY AWARD 2020
Category - Best Product



DESIGNS OF STAINLESS STEEL

BEST SELLERS



Montana – satin stainless steel



Montana – cosmos black



Paris – satin stainless steel



Paris – cosmos black



Rhodos – satin stainless steel



Rhodos – cosmos black

DESIGNS OF STAINLESS STEEL





Seattle – satin stainless steel



Seattle – cosmos black



Seattle – titan grey



Seattle – oil rubbed bronze



Madeira – satin stainless steel



Madeira – cosmos black



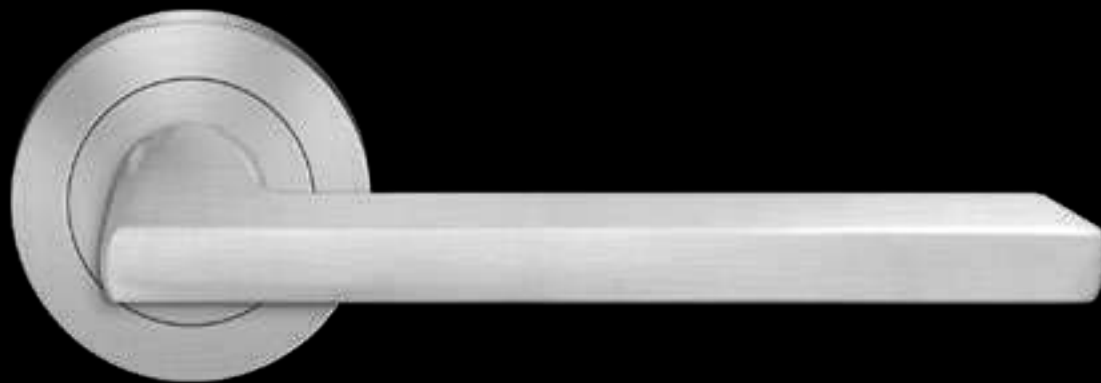
Madeira – oil rubbed bronze



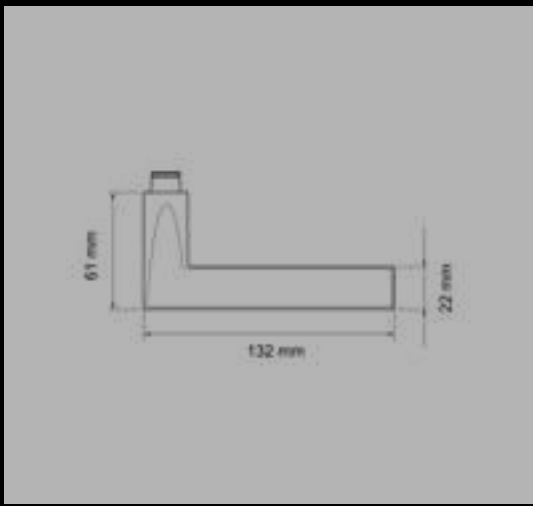
DESIGNS OF STAINLESS STEEL

Montana ER54

Studio Karcher



DESIGNS OF STAINLESS STEEL



colour:
satin stainless steel

Material:
stainless steel

certification:
GK3
Fire resistance

COLOUR



satin stainless steel
71



LEVER HANDLES ON ROSE



ER54 0S 71
Rose: Ø 52x10 mm



ER54Q 0S 71
Rose: 52x52x10 mm



ER54 BCR 71, KD Basic
Rose: Ø 52x10 mm



ER54Q S9 71, KD Comfort
Rose: 52x52x10 mm



ER54 S9 71, KD Comfort
Rose: Ø 52x10 mm

WINDOW HANDLE



EF544 71
turn before tilt 4-position
ratchet



EF544Q 71
turn before tilt 4-position
ratchet



EF544 EAR 71
lockable with key



EF544 EARO 71
lockable with key

LEVER HANDLES ON PLATE



RL PZ72 60
ED54 71



RLE PZ72 71
ED54 71

More information about lever handles on plate is available on page [148 >](#)



EPD BB 71 | satin stainless steel

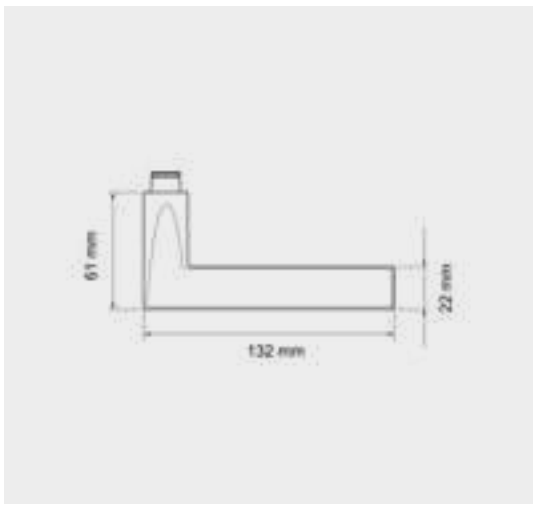
DESIGNS OF STAINLESS STEEL

Montana ER54

Studio Karcher



DESIGNS OF STAINLESS STEEL



colour:
cosmos black

Material:
stainless steel

certification:
GK3
Fire resistance

COLOUR



reddot award 2019
winner

KD • *BASIC*
push for privacy

LEVER HANDLES ON ROSE



ER54 0S 83
Rose: Ø 52x10 mm



ER54Q 0S 83
Rose: 52x52x10 mm



ER54 S9 83, KD Comfort
Rose: Ø 52x10 mm



ER54Q S9 83, KD Comfort
Rose: 52x52x10 mm

WINDOW HANDLE



EF544 83
turn before tilt 4-position
ratchet



EF544 EAR 83
lockable with key



ER54 BCR 83, KD Basic
Rose: Ø 52x10 mm

Easy.
Locking without
a key.

More information about KD Basic
is available on page [66 >](#)

LEVER HANDLES ON PLATE



ELRMA PZ72 83
ED54 83



RLE UN 83
ED54 83

KNOBS



ERK530 R2 83

POCKET DOOR SETS



EPD 83

More information about lever handles on
plate is available on page [148 >](#)

DESIGNS OF STAINLESS STEEL

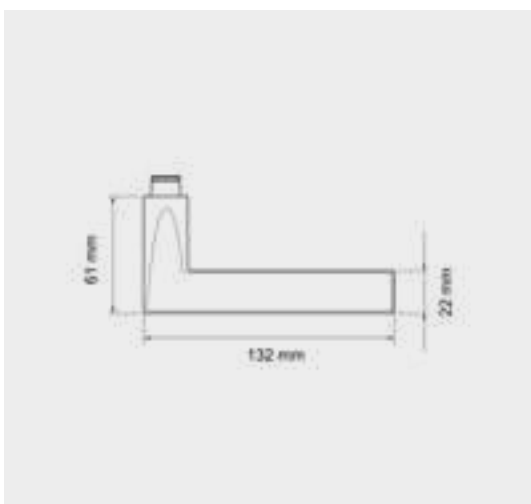
KARCHER
DESIGN

Montana ER54

Studio Karcher



DESIGNS OF STAINLESS STEEL



colour:
titan grey

Material:
stainless steel
certification:
GK3
Fire resistance

COLOUR



titan grey
89



cosmos black
83



LEVER HANDLES ON ROSE



ER54 0S 89
Rose: Ø 52x10 mm



ER54 BCR 89, KD Basic
Rose: Ø 52x10 mm



EPL54 0S 89, Plan Design
Rose: Ø 55x3 mm



EPL54Q 0S 89, Plan Design
Rose: 55x55x3 mm

More information about KD Basic
is available on page > 66

KD • BASIC
push for privacy



Easy.
Locking without
a key.

WINDOW HANDLE



EF544 89
turn before tilt 4-position
ratchet

LIFT AND SLIDE DOOR
HANDLES



EHSSET28 PZ 89

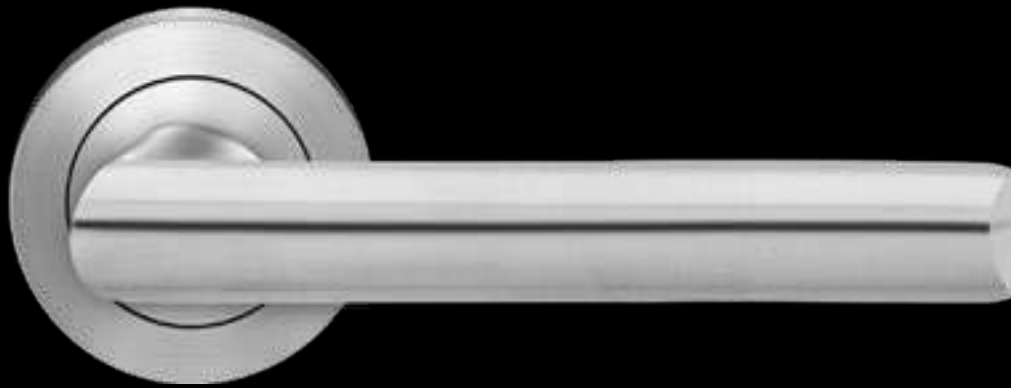


EHSSET28 DD 89 | titan grey

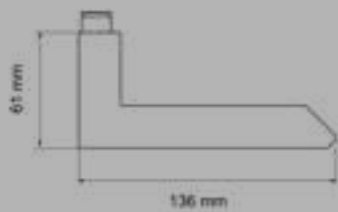
DESIGNS OF STAINLESS STEEL

Paris ER55

Itamar Harari



DESIGNS OF STAINLESS STEEL



colour:
satin stainless steel

Material:
stainless steel

certification:
GK3
Fire resistance

COLOUR



satin stainless steel
71



LEVER HANDLES ON ROSE



ER55 OS 71
Rose: Ø 52x10 mm



ER55 S9 71, KD Comfort
Rose: Ø 52x10 mm

WINDOW HANDLE



EF554 71
turn before tilt 4-position
ratchet

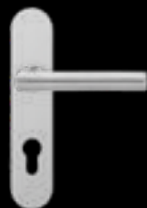


EF554 EAR 71
lockable with key



ER55 BB0 71 | satin stainless steel

LEVER HANDLES ON PLATE



ELX PZ72 71
ED55 71



ELXQ UN 71
ED55 71

POCKET DOOR SETS



EPD 71

ACCESSORIES



EZ217 71

More information about lever handles on plate is available on page > 148

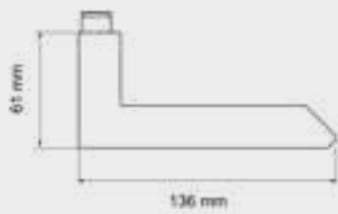
DESIGNS OF STAINLESS STEEL

Paris ER55

Itamar Harari



DESIGNS OF STAINLESS STEEL



colour:
cosmos black

Material:
stainless steel

certification:
GK3
Fire resistance

COLOUR



cosmos black
83



reddot award 2019
winner

LEVER HANDLES ON ROSE



ER55 0S 83
Rose: Ø 52x10 mm



ER55 S9 83, KD Comfort
Rose: Ø 52x10 mm



More information about KD Comfort is available on page [66 >](#)

WINDOW HANDLE



EF554 83
turn before tilt 4-position ratchet



EF554 EAR 83
lockable with key



PRODUCTS FOR FRAME DOORS



BELRMA PZ70 83
ED55 83



EZ149V 26 83
ED55 83



EZ149QV 26 83
ED55 83

POCKET DOOR SET



EPDQ 83

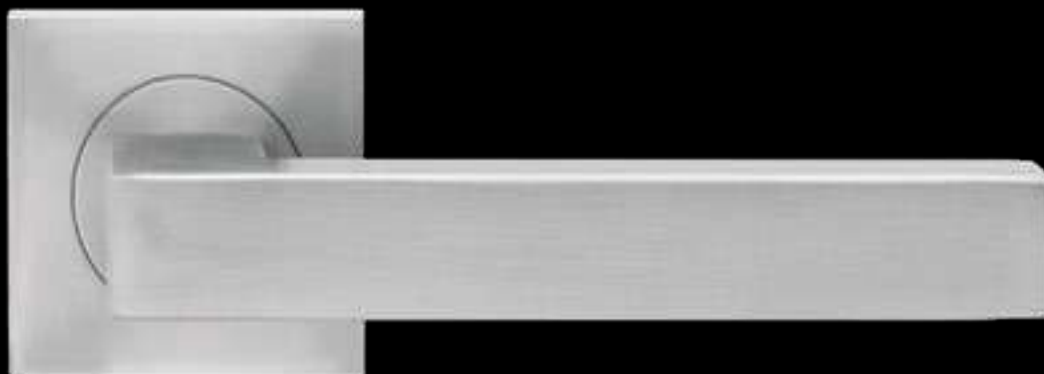
For further informations go to page [> 146](#)

DESIGNS OF STAINLESS STEEL

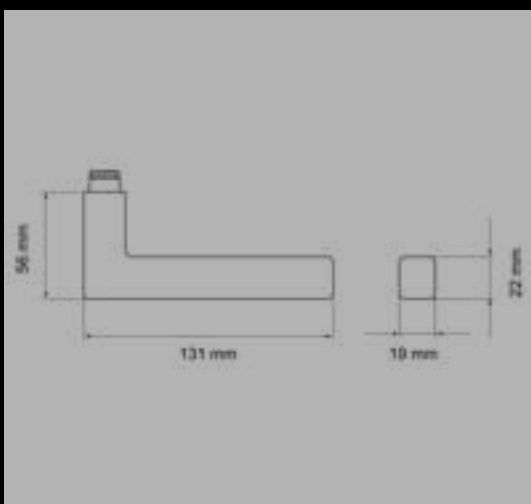


Seattle ER46Q

Studio Karcher



DESIGNS OF STAINLESS STEEL



colour:
satin stainless steel

Material:
stainless steel

certification:
GK3
Fire resistance

COLOUR



satin stainless steel
71



polished stainless steel
72

LEVER HANDLES ON ROSE



ER46Q 0S 71
Rose: 52x52x10 mm



EPL46Q 0S 71, Plan Design
Rose: 55x55x3 mm



ER46QM 0S 71
Rose: 30x30x2 mm



ER46Q S9 71, KD Comfort
Rose: 52x52x10 mm



EPL46Q S9 71, KD Comfort
Rose: xx



ER46Q BCR 71, KD Basic
Rose: 52x52x10 mm

WINDOW HANDLE



EF464 71
turn before tilt 4-position
ratchet



EF464Q 71
turn before tilt 4-position
ratchet



EF464 EARQ 71
lockable with key



EFT464Q 71
turn before tilt 4-position
ratchet

PRODUCTS FOR FRAME DOORS



ELRMA PZ92 71
ED46 71



EZ149QV 26 71
ED46 71

PULL HANDLES



ES46 400 71

POCKET DOOR SET



EPDQ 71

For further informations go to page > 146

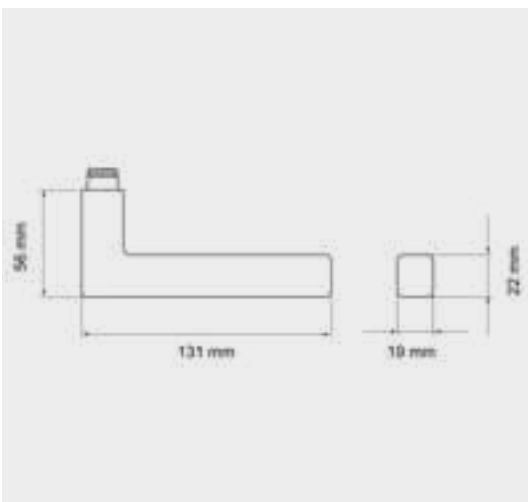
DESIGNS OF STAINLESS STEEL

Seattle ER46Q

Studio Karcher



DESIGNS OF STAINLESS STEEL



colour:
oil rubbed bronze

Material:
stainless steel

certification:
GK3
Fire resistance

COLOUR



oil rubbed bronze
81



cosmos black
83



titan grey
89

LEVER HANDLES ON ROSE



ER46Q 0S 81
Rose: 52x52x10 mm



EPL46Q 0S 81, Plan Design
Rose: 55x55x3 mm

WINDOW HANDLE



EF464Q 81
turn before tilt 4-position
ratchet

POCKET DOOR SET



EPDQ 0S 81

For further informations
go to page > 166



ER46Q BB0 81 | oil rubbed bronze



EPD, EPDQ

Discover our range of sliding door roses.

We offer these in round, square, rectangular and lockable designs. It doesn't matter whether it's a bathroom lock, blind, with a standard key or lockable on both sides: we have the ideal solution (including the lock!) for your sliding door.

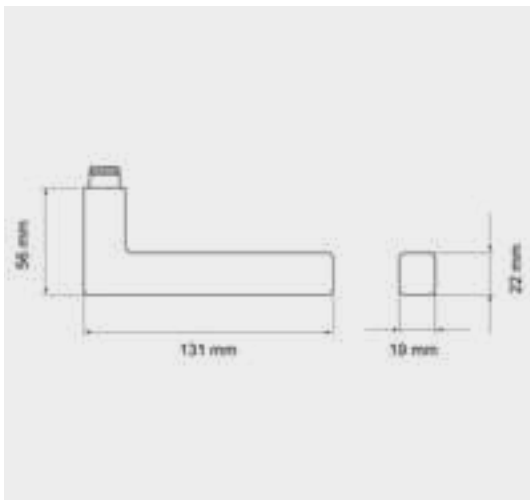
You can also choose between the surface finishes matt stainless steel, polished stainless steel, antique bronze, Cosmos Black and Titan Gray.

Seattle ER46Q

Studio Karcher



DESIGNS OF STAINLESS STEEL



colour:
cosmos black

Material:
stainless steel

certification:
GK3
Fire resistance

COLOUR



cosmos black
83



oil rubbed bronze
81



titan grey
89



reddot award 2019
winner

KD • *BASIC*
push for privacy

LEVER HANDLES ON ROSE



ER46Q 0S 83
Rose: 52x52x10 mm



EPL46Q 0S 83, Plan Design
Rose: 55x55x3 mm



ER46Q S9 83, KD Comfort
Rose: 52x52x10 mm



ER46QM 0S 83
Rose: 30x30x2 mm



ER46Q BCR 83, KD Basic
Rose: 52x52x10 mm

WINDOW HANDLE



EF464Q 83
turn before tilt 4-position
ratchet



EF464 EARQ 83
lockable with key



EFT464Q 83
turn before tilt 4-position
ratchet

PRODUCTS FOR FRAME DOORS



ELRMA PZ72 83
ED46 83



EZ149QV 26 83
ED46 83

LIFT AND SLIDE DOOR HANDLES



EHSSET52Q DD 83

PULL HANDLES



ES46 400 83

More information about security hardware is available on page [146 >](#)

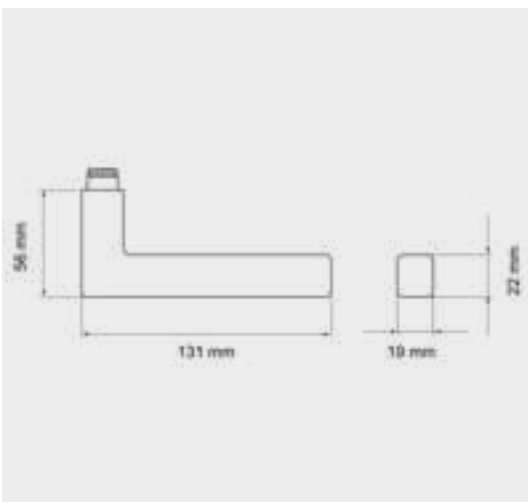
DESIGNS OF STAINLESS STEEL

Seattle ER46Q

Studio Karcher



DESIGNS OF STAINLESS STEEL



colour:
titan grey

Material:
stainless steel

certification:
GK3
Fire resistance

COLOUR



titan grey
89



cosmos black
83



oil rubbed bronze
81

LEVER HANDLES ON ROSE



ER46Q 0S 89
Rose: 52x52x10 mm



EPL46Q 0S 89, Plan Design
Rose: 55x55x3 mm



ER46Q S9 89, KD Comfort
Rose: 52x52x10 mm



ER46Q BCR 89, KD Basic
Rose: 52x52x10 mm

WINDOW HANDLE



EF464Q 89
turn before tilt 4-position
ratchet

LIFT AND SLIDE DOOR HANDLES



EHSSET52Q UN 89

PULL HANDLES



ES46 400 89



KD • BASIC
push for privacy



ERK550 GRQ 89



EZ1340 PZ 89

KARCHER
DESIGN

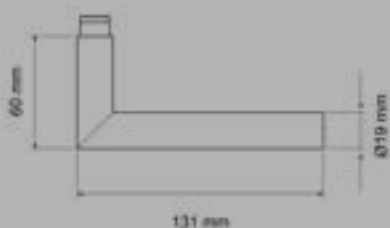
DESIGNS OF STAINLESS STEEL

Rhodos ER28

Studio Karcher



DESIGNS OF STAINLESS STEEL



colour:
satin stainless steel

Material:
stainless steel

certification:
GK3, GK4
Fire resistance

COLOUR



satin stainless steel
71



polished stainless steel
72



satin stainless steel / cosmos black
91

LEVER HANDLES ON ROSE



ER28 OS 71
Rose: Ø 52x10 mm



ER28Q OS 71
Rose: 52x52x10 mm



ER28 S9 71, KD Comfort
Rose: Ø 52x10 mm



ER28Q S9 71, KD Comfort
Rose: 52x52x10 mm



EPL28 OS 71, Plan Design
Rose: Ø 55x3 mm



EPL28Q OS 71, Plan Design
Rose: 55x55x3 mm



ER28 BCR 71, KD Basic
Rose: Ø 52x10 mm



ER28M OS 71
Rose: Ø 30x2 mm

WINDOW HANDLE



EF284 71
turn before tilt 4-position
ratchet



EF284 EAR 71
lockable with key



EF284AB 71
lockable with key



LIFT AND SLIDE DOOR HANDLES

EHSSET28 PZ 71
Euro profile cylinder interior
side

PRODUCTS FOR FRAME DOORS



ELRMA PZ72 71
ED28 71



EZ149V 26 71
ED28 71

LEVER HANDLES ON PLATE PULL HANDLES



ELX PZ72 71
ED28 71

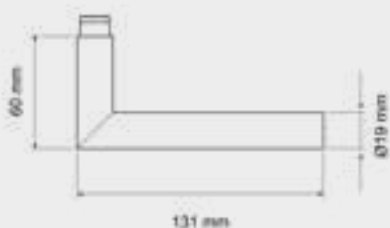


ES8 800 71

More information about lever handles on plate is available on page [148](#) >

Rhodos ER28

Studio Karcher



colour:
cosmos black

Material:
stainless steel
certification:
GK3
Fire resistance

COLOUR



cosmos black
83



oil rubbed bronze
81



titan grey
89



cosmos black / satin stainless steel
90

LEVER HANDLES ON ROSE



ER28 OS 83
Rose: Ø 52x10 mm



ER28Q OS 83
Rose: 52x52x10 mm



ER28 S9 83, KD Comfort
Rose: Ø 52x10 mm



ER28Q S9 83, KD Comfort
Rose: 52x52x10 mm



EPL28 OS 83, Plan Design
Rose: Ø 55x3 mm



EPL28Q OS 83, Plan Design
Rose: 55x55x3 mm



ER28 BCR 83, KD Basic
Rose: Ø 52x10 mm



ER28M OS 83
Rose: Ø 30x2 mm

WINDOW HANDLE



EF284 83
turn before tilt 4-position
ratchet



EF284Q 83
turn before tilt 4-position
ratchet



EF284 EAR 83
lockable with key



EF284 EARQ 83
lockable with key

LEVER HANDLES ON PLATE



ELRMA PZ72 83
ED28 83



RLE28 BB072 83

PULL HANDLES



ES3 400 83

LIFT AND SLIDE DOOR HANDLES



EHS28 PZ 83



reddot award 2019
winner

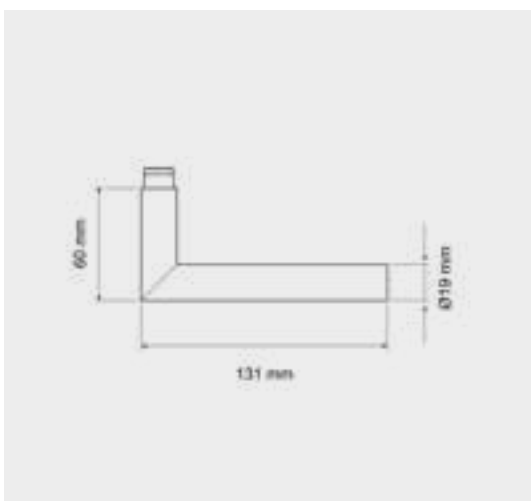
DESIGNS OF STAINLESS STEEL

Rhodos ER28

Studio Karcher



DESIGNS OF STAINLESS STEEL



colour:
titan grey

Material:
stainless steel
certification:
GK3
Fire resistance

COLOUR



titan grey
89



cosmos black
83



oil rubbed bronze
81



cosmos black / satin stainless steel
90

LEVER HANDLES ON ROSE



ER28 OS 89
Rose: Ø 52x10 mm



EPL28 OS 89, Plan Design
Rose: Ø 55x3 mm



ER28 BCR 89, KD Basic
Rose: Ø 52x10 mm

WINDOW HANDLE



EF284 89
turn before tilt 4-position
ratchet

LIFT AND SLIDE DOOR HANDLES



EHSSET28 UN 89



EHSSET28 DD 89

KD • BASIC
push for privacy



Easy.
Locking
without
a key.

ER28 BCR 89 | titan grey

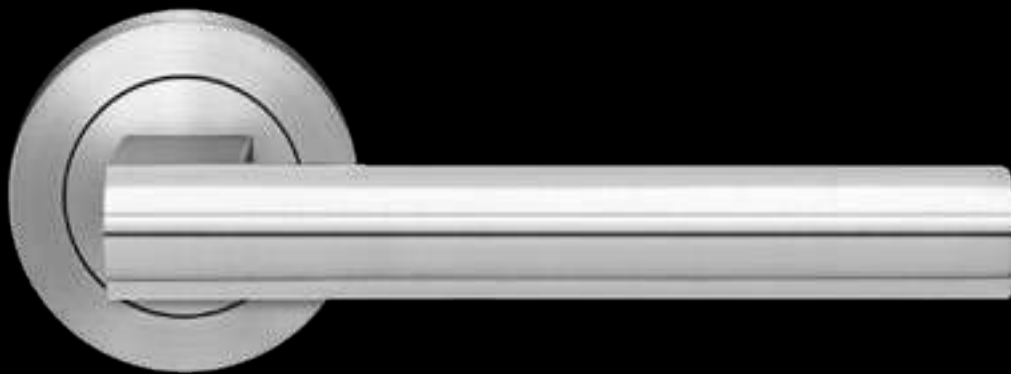
TITAN
GREY

KARCHER
DESIGN

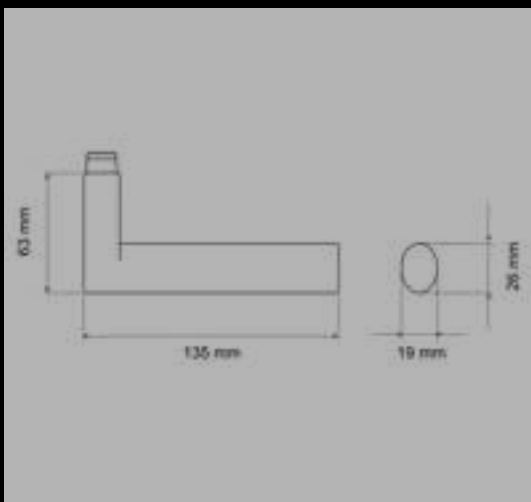
DESIGNS OF STAINLESS STEEL

Madeira ER45

Studio Karcher



DESIGNS OF STAINLESS STEEL



colour:
satin stainless steel

Material:
stainless steel

certification:
GK3
Fire resistance

COLOUR



satin stainless steel
71



satin stainless steel
71, light brown leather



satin stainless steel
71, dark brown leather



satin stainless steel
71, black leather

LEVER HANDLES ON ROSE



ER45 0S 71
Rose: Ø 52x10 mm



ER45Q 0S 71
Rose: 52x52x10 mm



EPL45 0S 71, Plan Design
Rose: Ø 55x3 mm



EPL45Q 0S 71, Plan Design
Rose: 55x55x3 mm



WINDOW HANDLE



EF454 71
turn before tilt 4-position
ratchet



EF454Q 71
turn before tilt 4-position
ratchet



EF454 EAR 71
lockable with key



EF454 EARO 71
lockable with key

LEVER HANDLES ON PLATE



ELRMA PZ72 71
ED45 71



EZ149V 26 71
ED45 71

LIFT AND SLIDE DOOR HANDLES



EHSSET45 UN 71



EHSSET45 PZ 71

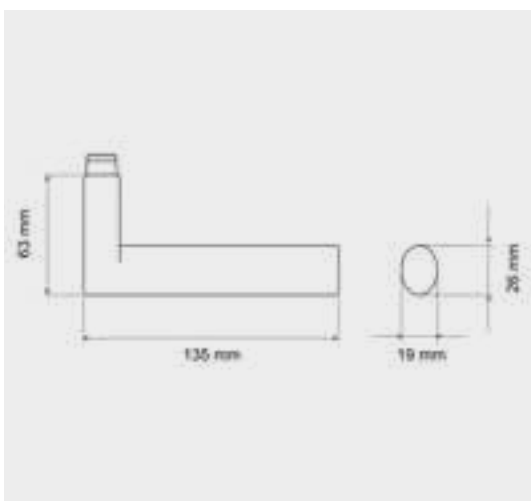
More information about lift and slide door handles is available on page [162 >](#)

Madeira ER45

Studio Karcher



DESIGNS OF STAINLESS STEEL



colour:
oil rubbed bronze

Material:
stainless steel

certification:
GK3
Fire resistance

COLOUR



oil rubbed bronze
81



cosmos black
83



oil rubbed bronze
81



cosmos black
83

LEVER HANDLES ON ROSE



ER45 OS 81
Rose: Ø 52x10 mm



ER45Q OS 81
Rose: 52x52x10 mm



EPL45 OS 81, Plan Design
Rose: Ø 55x3 mm



EPL45Q OS 81, Plan Design
Rose: 55x55x3 mm

WINDOW HANDLE



EF454 81
turn before tilt 4-position
ratchet



EF454Q 81
turn before tilt 4-position
ratchet

ACCESSORIES



ERK550 GRQ 81



EZ217Q 81

More information about accessories is available on page [170 >](#)



OIL RUBBED
BRONZE

ER45Q BAD 81 | oil rubbed bronze



DESIGNS OF STAINLESS STEEL

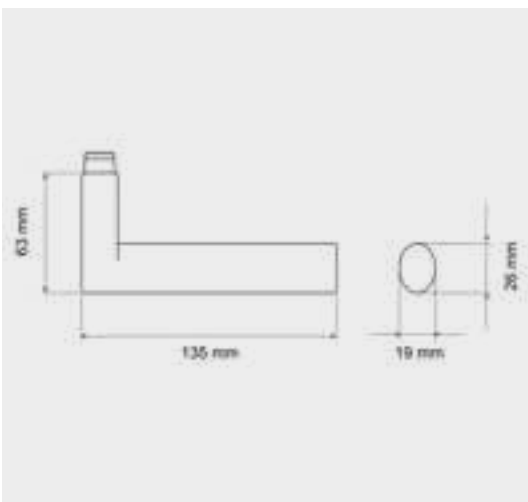
KARCHER
DESIGN

Madeira ER45Q

Studio Karcher



DESIGNS OF STAINLESS STEEL



colour:
cosmos black

Material:
stainless steel

certification:
GK3
Fire resistance

COLOUR



cosmos black
83



oil rubbed bronze
81



cosmos black
83



oil rubbed bronze
81

LEVER HANDLES ON ROSE



ER45Q OS 83
Rose: 52x52x10 mm



ER45 OS 83
Rose: Ø 52x10 mm



EPL45Q OS 83, Plan Design
Rose: 55x55x3 mm



EPL45 OS 83, Plan Design
Rose: Ø 55x3 mm



WINDOW HANDLE



EF454Q 83
turn before tilt 4-position
ratchet



EF454 83
turn before tilt 4-position
ratchet



EF454 EARQ 83
lockable with key



EF454 EAR 83
lockable with key

LEVER HANDLES ON PLATE



RLE UN 83
ED45 83



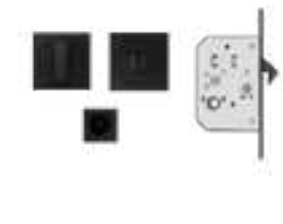
ELRMA PZ72 83
ED45 83

LIFT AND SLIDE DOOR HANDLES



EHSSET45 DD 83

POCKET DOOR SET HANDLES



EPDQ 83



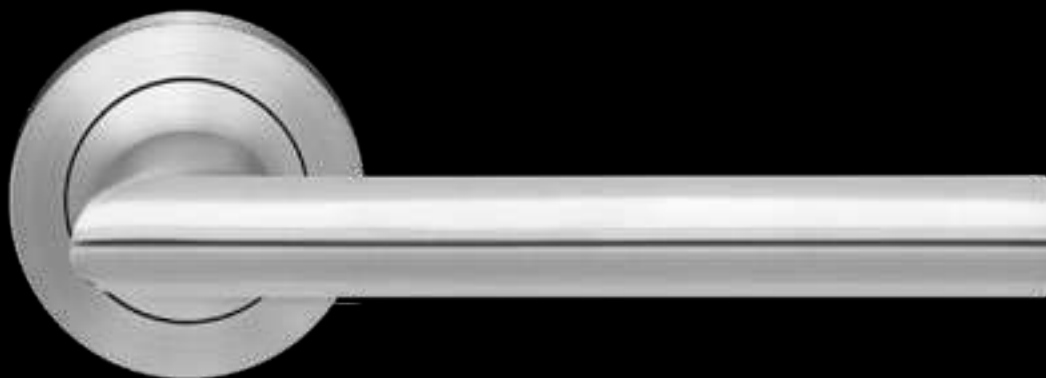
reddot award 2019
winner

KARCHER
DESIGN

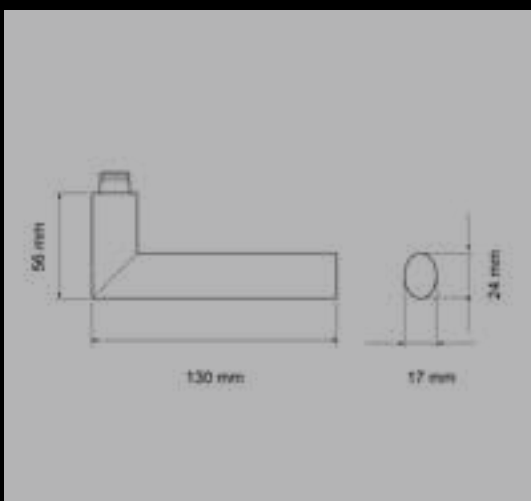
DESIGNS OF STAINLESS STEEL

Verona ER37

Studio Karcher



DESIGNS OF STAINLESS STEEL



colour:
satin stainless steel

Material:
stainless steel

certification:
GK3, GK4
Fire resistance

COLOUR



satin stainless steel
71



satin / polished stainless steel
73

LEVER HANDLES ON ROSE



ER37 OS 71
Rose: Ø 52x10 mm



ER37Q OS 71
Rose: 52x52x10 mm



ER37 S9 71, KD Comfort
Rose: Ø 52x10 mm



ER37Q S9 71, KD Comfort
Rose: 52x52x10 mm

WINDOW HANDLE



EF374 71
turn before tilt 4-position
ratchet



EF374 EAR 71
lockable with key

PROTECTIVE LEVER HANDLES



ESGR 680K PZ72 71
ED37R 71



ESG 675K PZ72 71
ED37R 71

More information about lever handles on plate is available
on page [134 >](#)

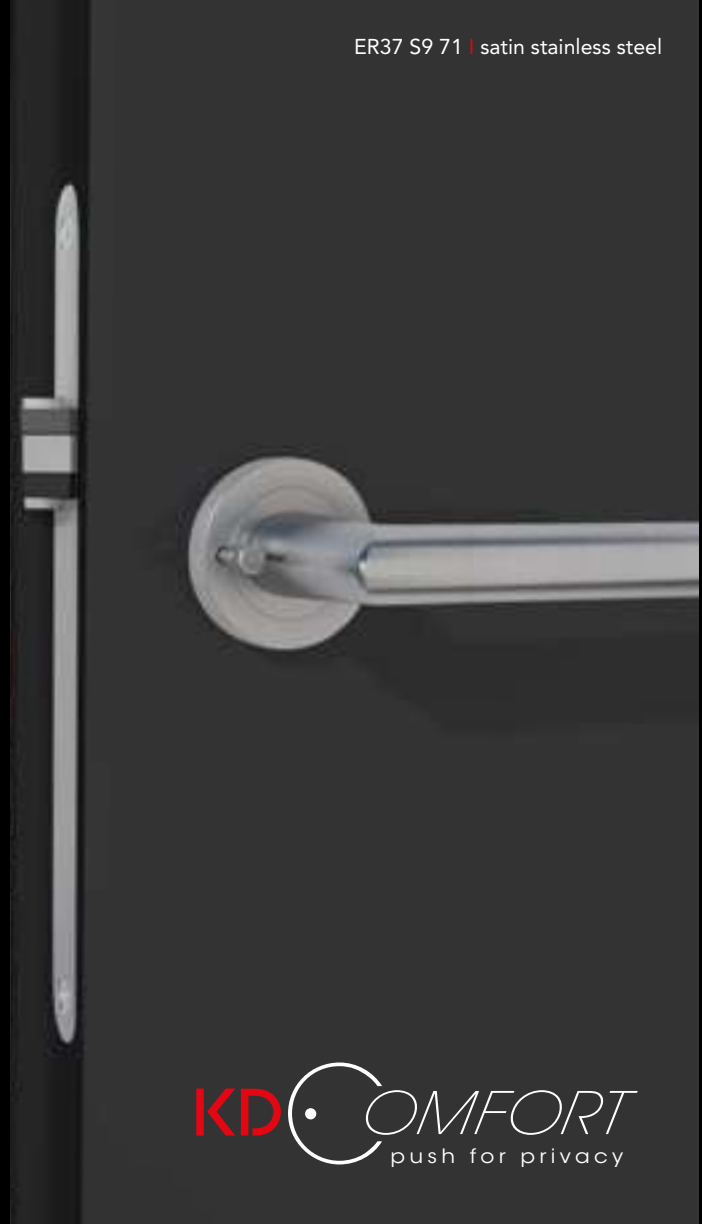
PULL HANDLES



ES37 300 71



ES37 300 73



KD • COMFORT
push for privacy

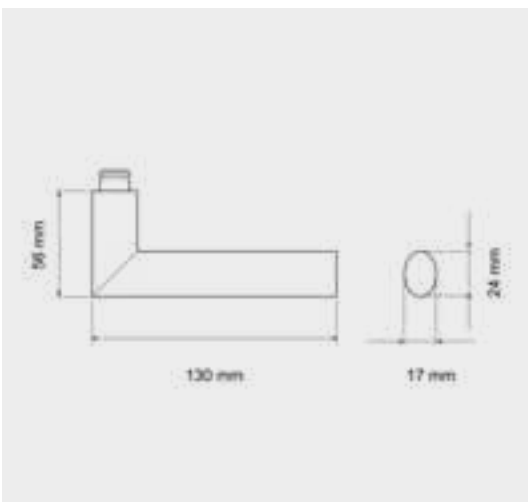
DESIGNS OF STAINLESS STEEL

Verona ER37

Studio Karcher



DESIGNS OF STAINLESS STEEL



colour:
cosmos black

Material:
stainless steel

certification:
GK3
Fire resistance

COLOUR



cosmos black
83



reddot award 2019
winner

LEVER HANDLES ON ROSE



ER37 OS 83
Rose: Ø 52x10 mm



ER37 S9 83, KD Comfort
Rose: Ø 52x10 mm



More information about KD Comfort is available on page 66 >

WINDOW HANDLE



EF374 83
turn before tilt 4-position ratchet



EF374 EAR 83
lockable with key



kdcomfort.com



LEVER HANDLES ON PLATE



RLE UN 83
ED37R 83



ELRMA PZ72 83
ED37R 83

LIFT AND SLIDE DOOR HANDLES



EHSSET45 UN 83
latch

POCKET DOOR SET HANDLES



EPDQ 2 83

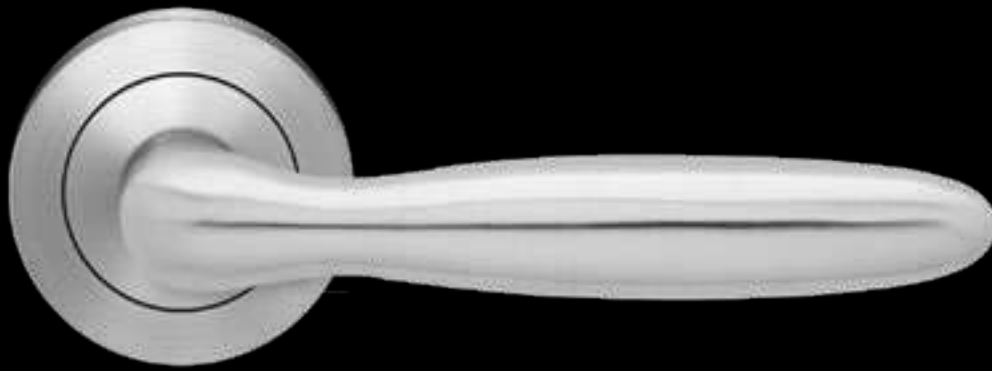
More information about lever handles on plate is available on page 148 >

DESIGNS OF STAINLESS STEEL

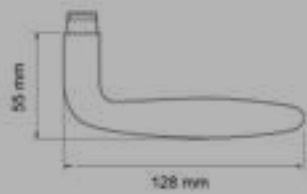


Korfu ER24

Studio Karcher



DESIGNS OF STAINLESS STEEL



colour:
satin stainless steel

Material:
stainless steel

certification:
GK3
Fire resistance

COLOUR



satin stainless steel
71

LEVER HANDLES ON ROSE



ER24 0S 71
Rose: Ø 52x10 mm



ER24 S9 71, KD Comfort
Rose: Ø 52x10 mm

KD COMFORT

push for privacy

More information about KD Comfort is available on page [66 >](#)

WINDOW HANDLE



EF244 71
turn before tilt 4-position ratchet



EF244 EAR 71
lockable with key

PRODUCTS FOR FRAME DOORS



ELRMA PZ72 71
ED24 71



EZ149V 26 71
ED24 71

More information about lever handles on plate is available on page [148 >](#)



EPD 0S 71 | satin stainless steel

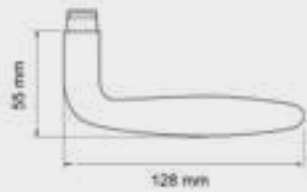
DESIGNS OF STAINLESS STEEL

Korfu ER24

Studio Karcher



DESIGNS OF STAINLESS STEEL



colour:
cosmos black

Material:
stainless steel

certification:
GK3
Fire resistance

COLOUR



cosmos black
83



reddot award 2019
winner

LEVER HANDLES ON ROSE



ER24 0S 83
Rose: Ø 52x10 mm



ER24 S9 83, KD Comfort
Rose: Ø 52x10 mm

KD **COMFORT**
push for privacy

More information about KD Comfort is available on page [66 >](#)

WINDOW HANDLE



EF244 83
turn before tilt 4-position ratchet



EF244 EAR 83
lockable with key



Oral surgery clinic, Bad Rappenau

PRODUCTS FOR FRAME DOORS



ELRMA PZ72 83
ED24 83



EZ149V 26 83
ED24 83

DOOR STOP



Z1925 83



EZ217 83

More information about lever handles on plate is available on page [148 >](#)

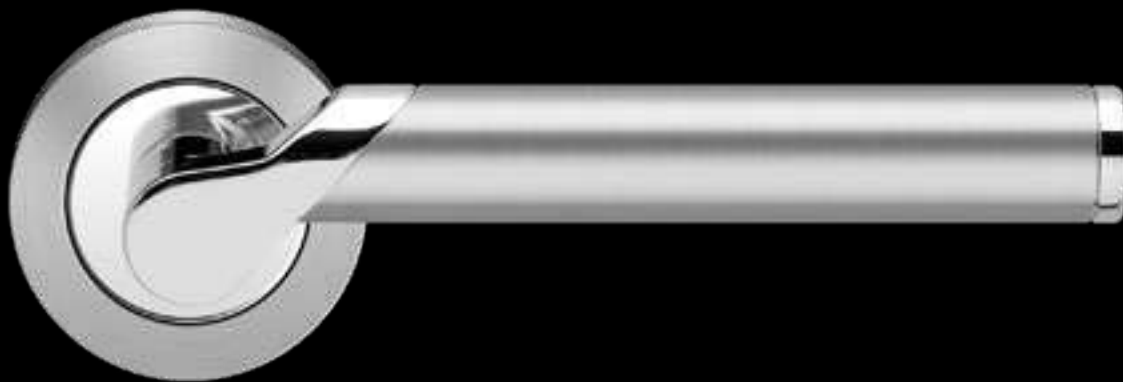
More information about accessories is available on page [170 >](#)

DESIGNS OF STAINLESS STEEL

KARCHER
DESIGN

Starlight R38

Studio Karcher



DESIGNS OF STAINLESS STEEL



colour:
chrome / satin stainless
steel

Material:
material combination

COLOUR



chrome / satin stainless steel
65



satin nickel
60

LEVER HANDLES ON ROSE



R38 OS 65
Rose: Ø 52x10 mm



R38 OS 60
Rose: Ø 52x10 mm

WINDOW HANDLE



F384R 65
turn before tilt 4-position
ratchet



F384R EAR 65
lockable with key



LEVER HANDLES ON PLATE



RL38 BB072 65



RL BB72 60
RD38R 60

KNOBS



ERK530 R2 73



ERK530 R2 71

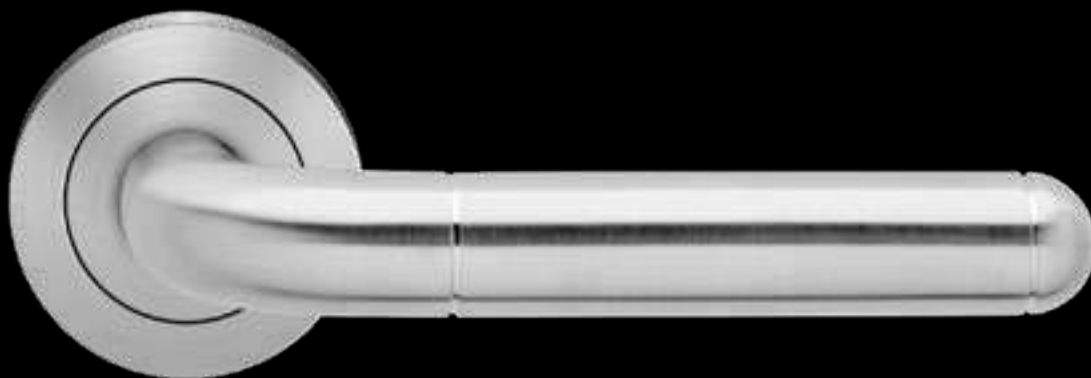
More information about lever handles on plate is available on page [148 >](#)

DESIGNS OF STAINLESS STEEL

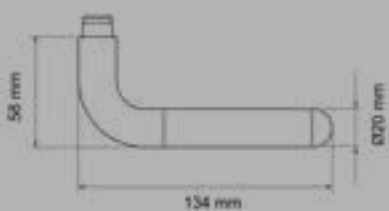


Lignano Steel ER35

Studio Karcher



DESIGNS OF STAINLESS STEEL



colour:
satin stainless steel

Material:
stainless steel

certification:
GK3
Fire resistance

COLOUR



satin stainless steel
71



satin / polished stainless steel
73

KARCHER
DESIGN



LEVER HANDLES ON ROSE



ER35 OS 71
Rose: Ø 52x10 mm



ER35 OS 73
Rose: Ø 52x10 mm



ER35 S9 71, KD Comfort
Rose: Ø 52x10 mm



ER35 S9 73, KD Comfort
Rose: Ø 52x10 mm

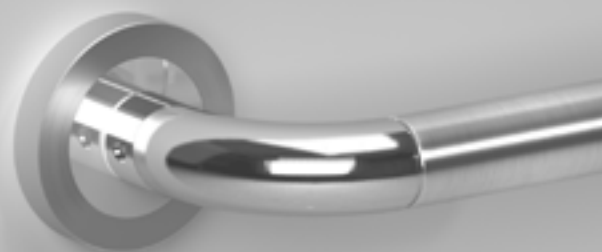
WINDOW HANDLE



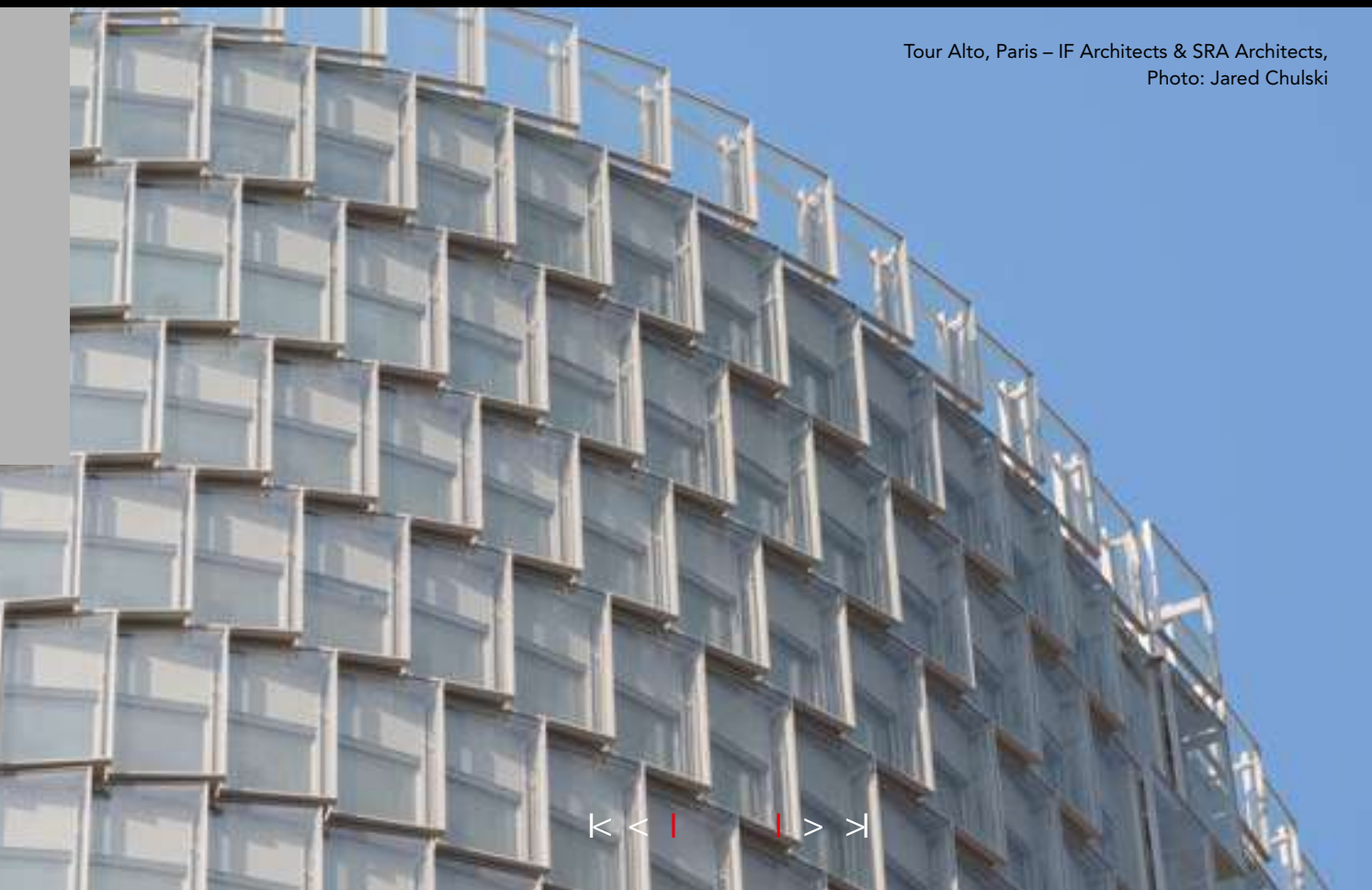
EF354 71
turn before tilt 4-position
ratchet



EF354 EAR 71
lockable with key



ER35 OS 73 | satin / polished stainless steel



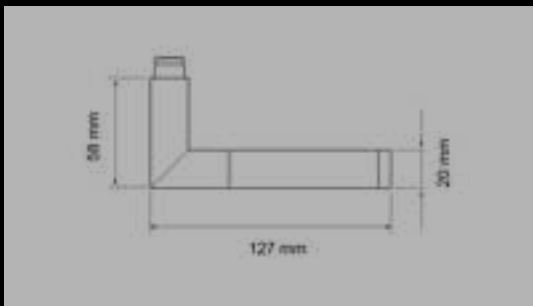
Tour Alto, Paris – IF Architects & SRA Architects,
Photo: Jared Chulski

Rio Steel ER34

Studio Karcher



DESIGNS OF STAINLESS STEEL



colour:
satin / polished stainless steel
Material:
stainless steel
certification:
GK3
Fire resistance

LEVER HANDLES ON ROSE



ER34 OS 73
Rose: Ø 52x10 mm



ER34Q OS 73
Rose: 52x52x10 mm



ER34 OS 71
Rose: Ø 52x10 mm



ER34 S9 71, KD Comfort
Rose: Ø 52x10 mm

WINDOW HANDLE



EF344 73
turn before tilt 4-position
ratchet



EF344 EAR 73
lockable with key



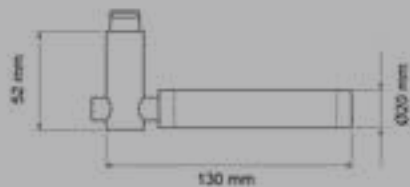
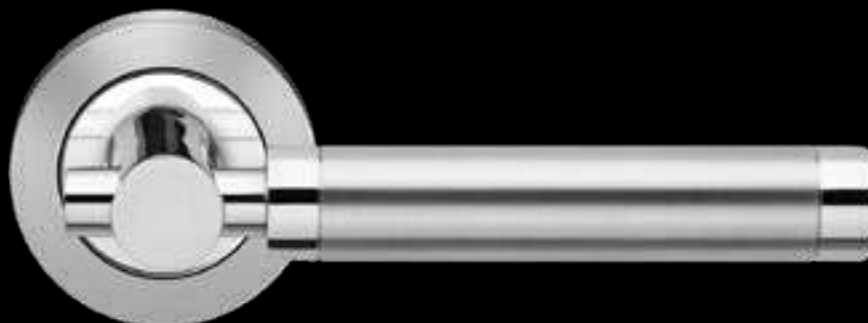
EF344 71
turn before tilt 4-position
ratchet



EF344 EAR 71
lockable with key

New York ER65

Studio Karcher



colour:
satin / polished stainless steel
Material:
stainless steel
certification:
GK3
Fire resistance

DESIGNS OF STAINLESS STEEL

LEVER HANDLES ON ROSE PULL HANDLES



ER65 OS 73
Rose: Ø 52x10 mm

WINDOW HANDLE



EF654 73
turn before tilt 4-position
ratchet



ES31 400 71

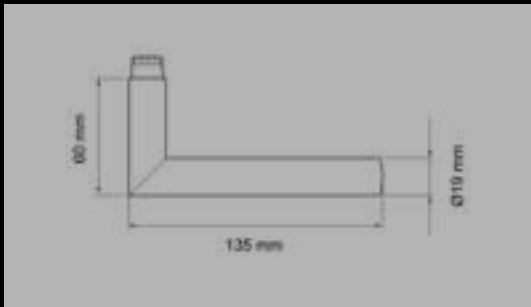


Corsica ER30

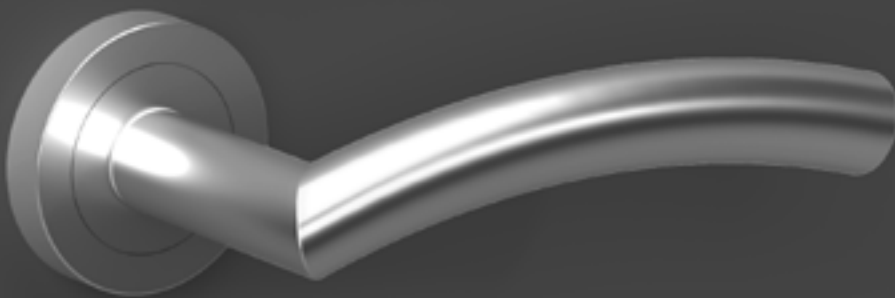
Studio Karcher



DESIGNS OF STAINLESS STEEL

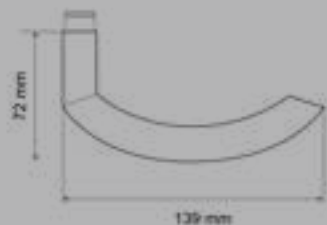


colour:
satin stainless steel
Material:
stainless steel
certification:
GK3
Fire resistance



Sylt ER26

Studio Karcher



colour:
satin stainless steel
Material:
stainless steel
certification:
GK3
Fire resistance

DESIGNS OF STAINLESS STEEL

LEVER HANDLES ON ROSE



ER26 OS 71
Rose: Ø 52x10 mm



ER26 S9 71, KD Comfort
Rose: Ø 52x10 mm

WINDOW HANDLE



EF264 71
turn before tilt 4-position
ratchet

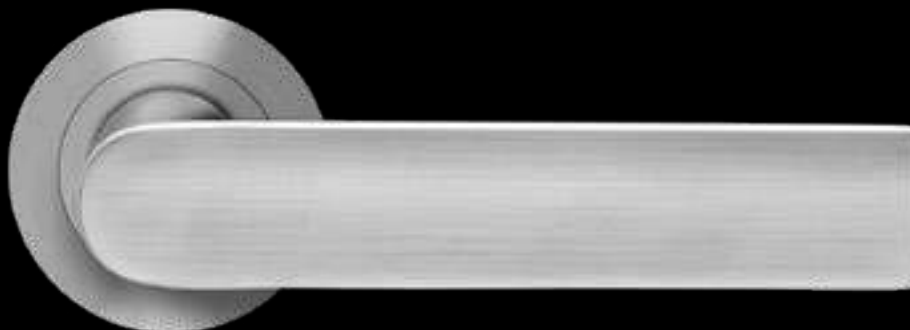


EF264 EAR 71
lockable with key

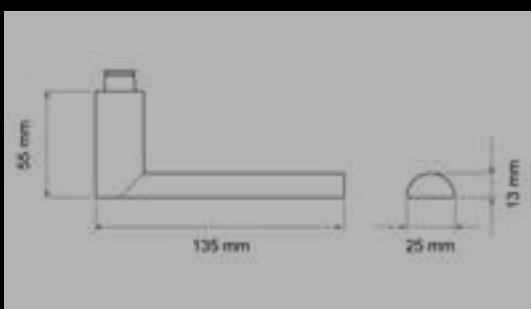
KARCHER
DESIGN

London ER51

Studio Karcher



DESIGNS OF STAINLESS STEEL



colour:
satin stainless steel
Material:
stainless steel
certification:
GK3
Fire resistance

LEVER HANDLES ON ROSE



ER51 OS 71
Rose: Ø 52x10 mm



ER51Q OS 71
Rose: 52x52x10 mm



ED51K 71
half set without rose and spindle with short neck

SHORT NECK 30 mm

PULL HANDLES



WINDOW HANDLE



EF514 71
turn before tilt 4-position ratchet



EF514Q 71
turn before tilt 4-position ratchet

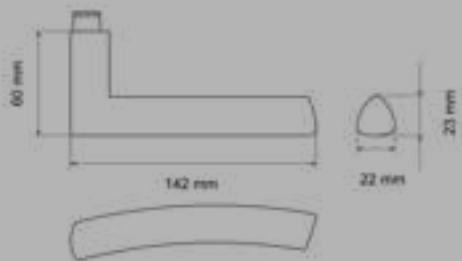
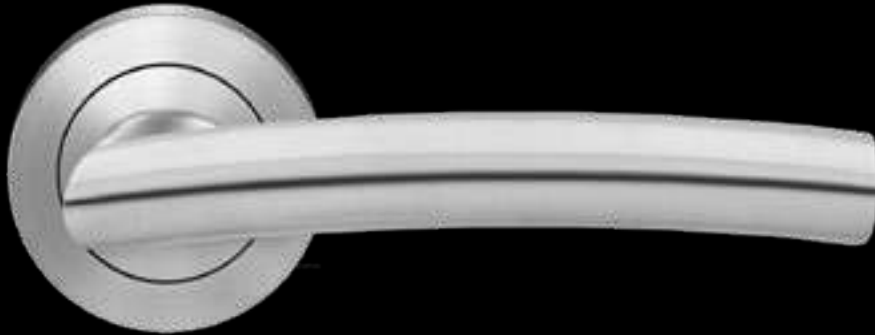


EF514 EAR 71
lockable with key

ES51 400 71

Madrid ER56

Itamar Harari



colour:
satin stainless steel
Material:
stainless steel
certification:
GK3
Fire resistance

DESIGNS OF STAINLESS STEEL

Hotel Intercontinental, The O2, London



KD • BASIC
push for privacy

KD • COMFORT
push for privacy



ER28 BCL 83 | cosmos black



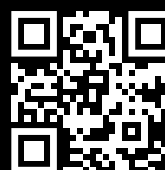
ER28 S9 83 | cosmos black

KD BASIC OR KD COMFORT

The functionality of the privacy pin technology is all about ease of use.

KD Comfort as a handle/lock combination with anti-lock-out function and over 70 Karcher models, or KD Basic – independent of the lock – with three handle models. Both are available as part of the "push for privacy" product family.

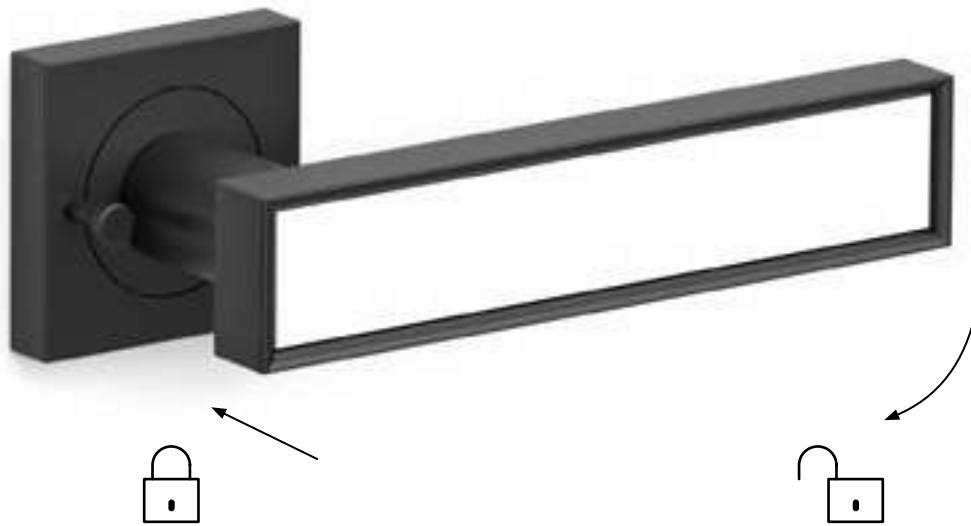
Easy.
Locking
without
a key.



www.kdcomfort.com

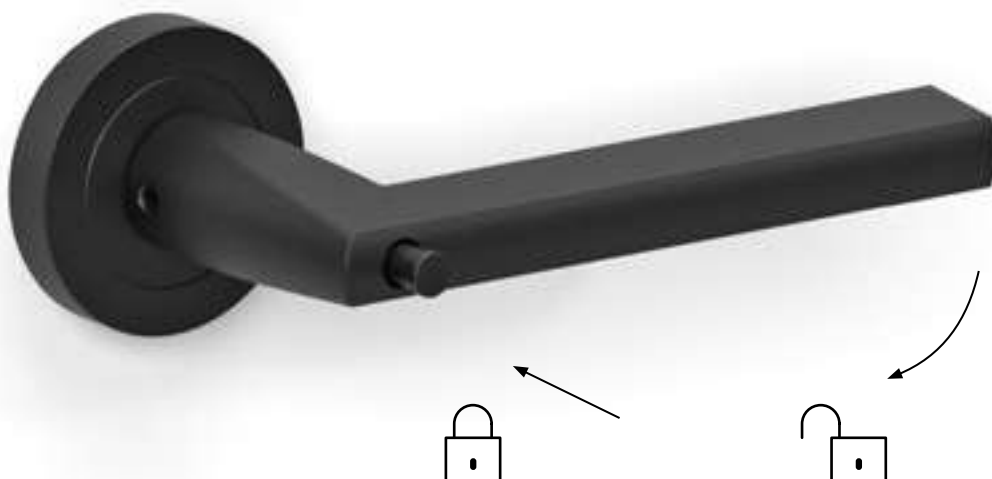
KD COMFORT

Foolproof. With anti-lockout-function. Compatible with over 70 Karcher door handle models



KD BASIC

Innovative. Push for privacy.
Compatible with every standard lock.



Seattle ER46Q S9 83

Studio Karcher, KD Comfort



AS INGENIOUS AS IT IS SIMPLE – THE HANDLE-LOCK COMBINATION

KD Comfort is a handle/lock combination which prevents unwanted lock-outs. The intuitive and automatic unlocking system makes it almost impossible to be locked-in – ideal for children and senior citizens.

It's not just child's play when in use, it's also about design. Ideal for customers with an affinity for design who want to combine innovative technologies and modern trends without compromise.

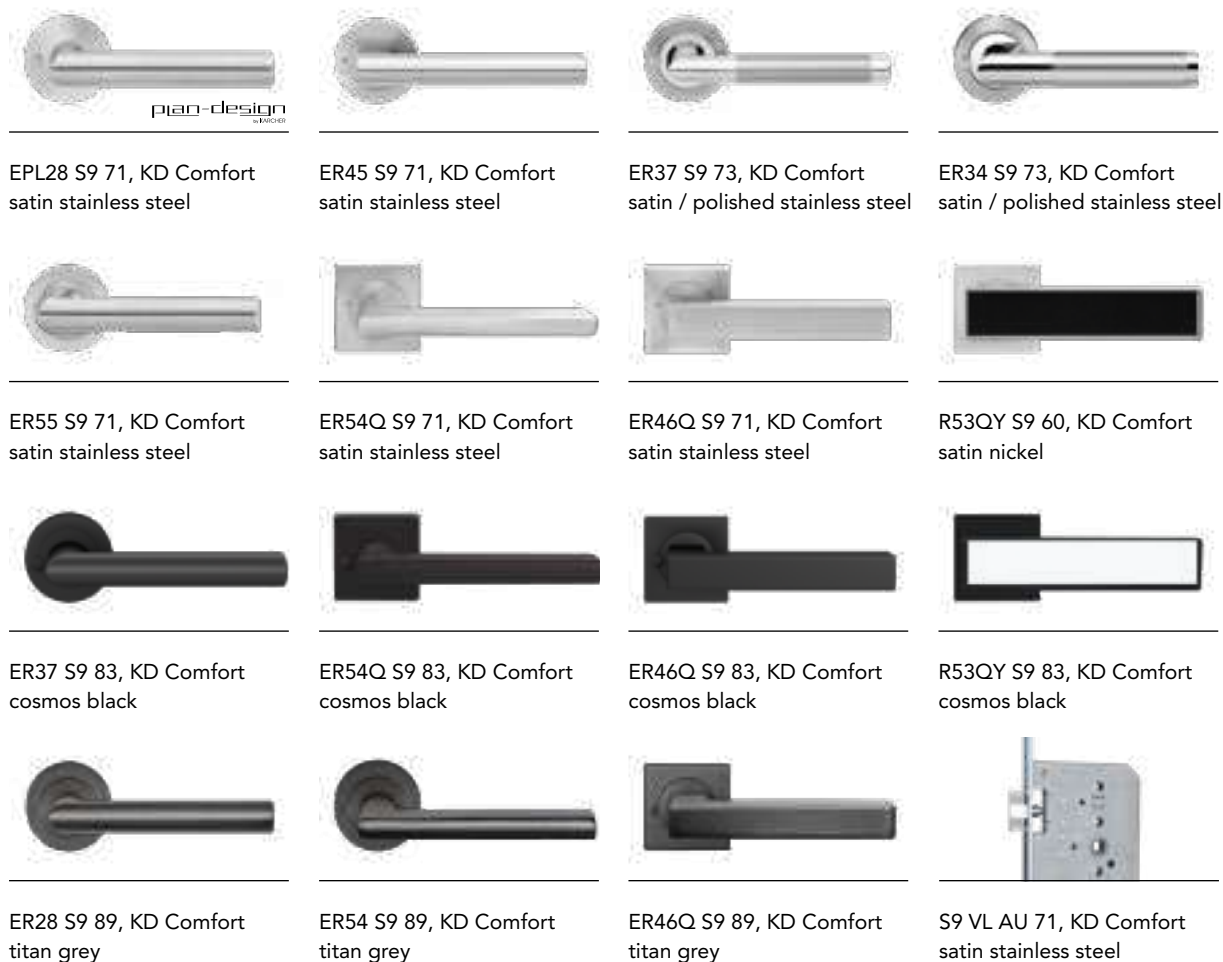
DURABLE

If the outside door handle is actuated WHEN the door is locked, it is decoupled and does not stress the lock and spindle. This reduces wear and tear.



DESIGNS OF STAINLESS STEEL

LEVER HANDLES ON ROSE



TECHNOLOGY AND DESIGN – WITHOUT COMPROMISE

Besides the ingenious and simple functionality, KD Comfort is manufactured as a comfortable handle/lock combination with a high-quality latch lock according to DIN 18251.

OVER 70 MODELS

KD Comfort is available with over 70 Karcher Design door handle models in the colors satin stainless steel, polished/matt stainless steel, Cosmos Black and Titanium Grey.



Easy to use



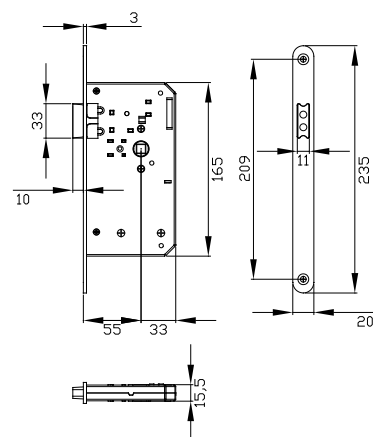
Large selection of door handles



Locking without a key.



www.kdcomfort.com



DESIGNS OF STAINLESS STEEL

Also available ...
... KD Comfort on Plan Design

KD COMFORT
push for privacy



ER45 S9 83 | cosmos black

KD COMFORT MAGNET

AESTHETIC AND QUIET – IDEAL FOR NON-REBATED DOORS

The KARCHER DESIGN KD Comfort magnetic lock with magnetic latch and non-rebated doors make perfect combination for your new room design. There is neither a key escutcheon nor a visible latch – the latch stays flush with the door edge. When the door is closed, upon reaching the correct position, the latch is pulled out by the magnet in the strike-plate. With contactless operation, the lock functions much quieter than a conventional latch lock.

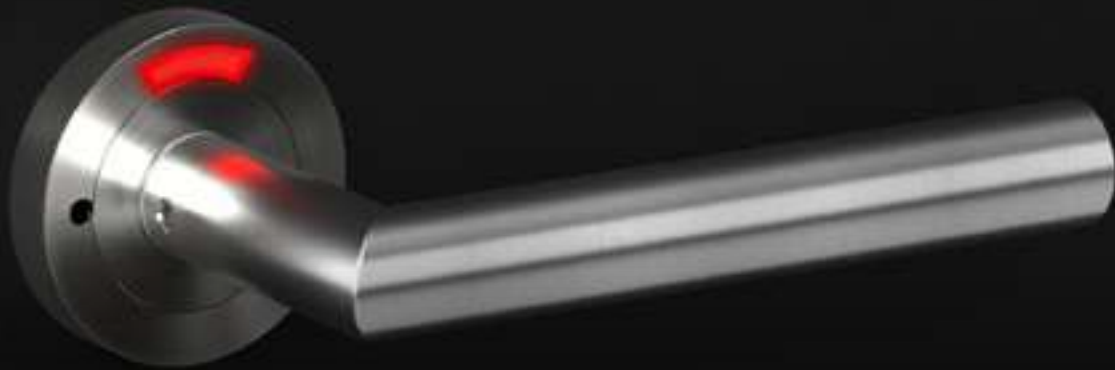


Particularly silent closing
due to the magnetic latch

plan-design

KD Comfort is also available on Plan Design

More information available on the website [100 >](#)



ER28 S9 LEDL 71 | satin stainless steel



High quality LEDs with
~1000 hours running time
without a battery change



Powered by 4 AAA batter-
ies, easily accessible in the
lock case



All the advantages of the
KD Comfort lock

KD COMFORT LED

WITH LED occupied indicator

All the advantages of the KD Comfort lock with an additional LED occupancy indicator. The high-quality light-emitting diodes are particularly energy-efficient and are powered by 4 batteries in the lock case. LEDs are extremely robust and resistant to shocks and vibrations.

Available for all models (matt stainless steel – 71 and cosmos black – 83) on a round rose!

KD • BASIC

push for privacy



ER54 BCL 83 | cosmos black



KD Basic is optionally available with a green or colour matched PIN.

Easy.
Locking
without
a key.



www.kdcomfort.com



ER28 BCR 89 | titan grey



YOUR BENEFITS

- Close and open with one hand
- Intuitive unlocking by pressing down the door handle
- Compatible with any 8 mm mortise lock follower
- Extremely durable thanks to the decoupling of the outer door handle, reducing stress on the spindle and lock

Rhodos ER28 BCR 83

Studio Karcher, KD Basic

KD • BASIC
push for privacy

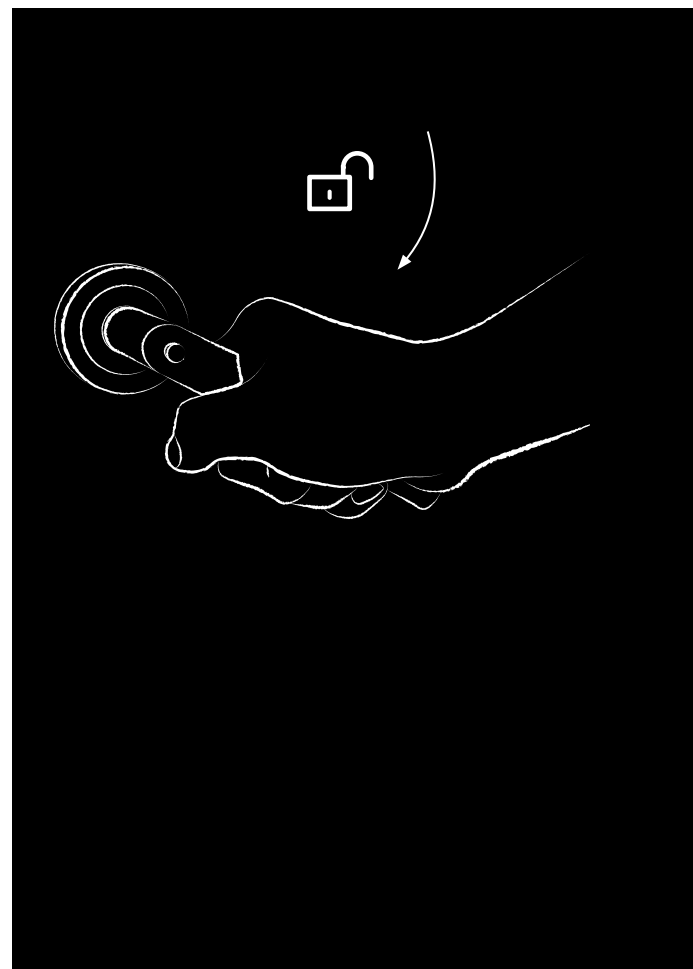


KD Basic – for any standard lock

The functionality of the privacy pin technology convinces with its easy handling.

To lock the door, simply push the pin into the door handle.
To open the lock, simply press down on the door handle.

If the outside door handle is operated when the door is locked, it simply turns freely and no additional force is exerted on the lock and square spindle.



LEVER HANDLES ON ROSE



ER28 BCR 71, KD Basic
Rose: Ø 52x10 mm



ER46Q BCR 71, KD Basic
Rose: 52x52x10 mm



ER54 BCR 71, KD Basic
Rose: Ø 52x10 mm



ER28 BCR 83, KD Basic
Rose: Ø 52x10 mm



ER46Q BCR 83, KD Basic
Rose: 52x52x10 mm



ER54 BCR 83, KD Basic
Rose: Ø 52x10 mm



ER28 BCR 89, KD Basic
Rose: Ø 52x10 mm



ER46Q BCR 89, KD Basic
Rose: 52x52x10 mm

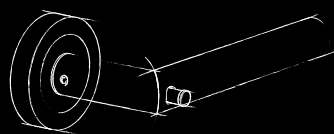


ER54 BCR 89, KD Basic
Rose: Ø 52x10 mm

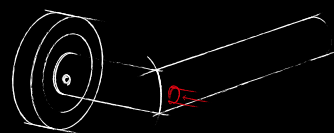
Easy. Locking without a key.

EASY TO MOUNT

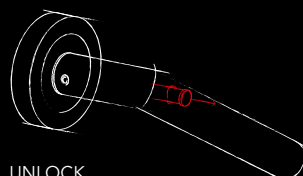
1. Insert the set pre-assembled handle onto one side into the lock (outside)
2. Screw on the mounting plate onto the opposite side
3. Fasten the inside door handle to the mounting plate with the screw ring
4. **TIGHTEN THE SET SCREW!**



UNLOCKED



LOCKED



UNLOCK

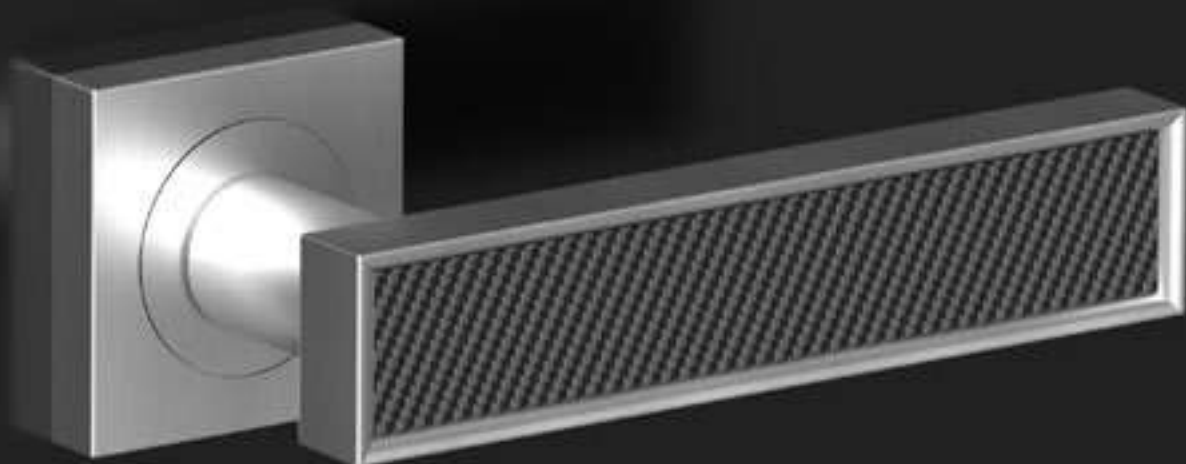


www.kdcomfort.com

For further information
visit www.kdcomfort.com
or scan the QR-code.

KARCHER
DESIGN

TORINO R53



DESIGNS OF STAINLESS STEEL



INLAY C1
inlay carbon

INLAY HE2
inlay wood rustic oak



Itamar Harari

LEVER HANDLES ON ROSE



INLAY GS
inlay glass glossy black



INLAY GW
inlay glass glossy white



INLAY HE1
inlay wood light oak



INLAY HE2
inlay wood rustic oak



INLAY HS
inlay wood ebony



INLAY KB1
inlay laminate concrete texture



INLAY KE1
inlay laminate light oak texture



INLAY KG1
inlay laminate grey



INLAY KNB1
inlay laminate rustic oak texture



INLAY KS1
inlay laminate satin black



INLAY KS2
inlay laminate glossy black



INLAY KW1
inlay laminate satin white



INLAY KW2
inlay laminate glossy white



INLAY LD
inlay dark brown leather



INLAY LH
inlay leather light brown



INLAY LS
inlay leather black



INLAY LOGO
inlay with custom logo



INLAY KC2
inlay laminate glossy cream white



INLAY KK
inlay laminate brushed copper optic



INLAY KM
inlay laminate brushed brass copper optic

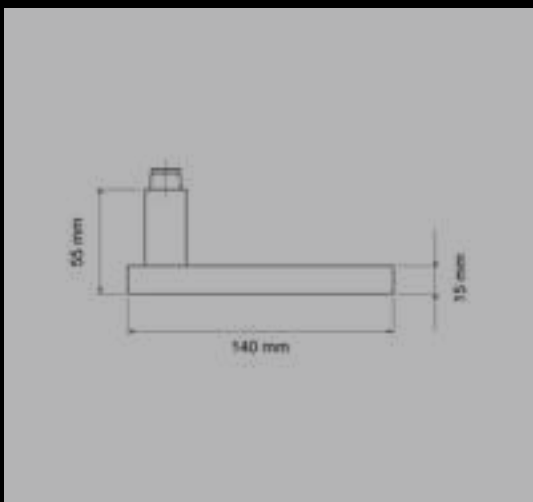
DESIGNS OF STAINLESS STEEL

Torino R53

Itamar Harari



DESIGNS OF STAINLESS STEEL



colour:
satin nickel

INLAY KS1
inlay laminate satin black

Material:
material combination

COLOUR



satin nickel
60



chrome
50

KARCHER
DESIGN

LEVER HANDLES ON ROSE



R53Y 0S 60
Rose: Ø 52x10 mm



R53QY 0S 60
Rose: 52x52x10 mm



R53Y 0S 60
Rose: Ø 52x10 mm



R53QY 0S 60
Rose: 52x52x10 mm



EPL53Y 0S 60, Plan Design
Rose: Ø 55x3 mm



EPL53QY 0S 60, Plan Design
Rose: 55x55x3 mm

WINDOW HANDLE



F534Y 60
turn before tilt 4-position
ratchet



F534Y EAR 60
lockable with key



INLAY KB1
inlay laminate concrete texture

LEVER HANDLES ON PLATE



RL PZ72 60
RD53YR 60



RLE BB72 71
RD53YR 60

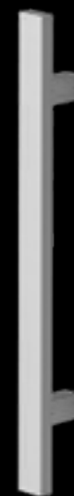
More information about lever handles on plate is available on page [148 >](#)

LIFT AND SLIDE DOOR HANDLES



EHSSET52Q UN 71

PULL HANDLES



ES6Q 600 71

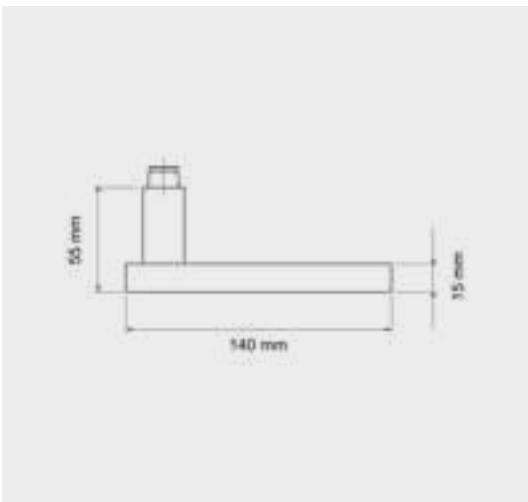
DESIGNS OF STAINLESS STEEL

Torino R53

Itamar Harari



DESIGNS OF STAINLESS STEEL



colour:
cosmos black

INLAY GW
inlay glass glossy white

Material:
material combination

COLOUR



cosmos black
83



cosmos black
83



reddot award 2019
winner

LEVER HANDLES ON ROSE



R53Y 0S 83
Rose: Ø 52x10 mm



R53QY 0S 83
Rose: 52x52x10 mm



R53Y S9 83, KD Comfort
Rose: Ø 52x10 mm



R53QY S9 83, KD Comfort
Rose: 52x52x10 mm

WINDOW HANDLE



F534Y 83
turn before tilt 4-position
ratchet

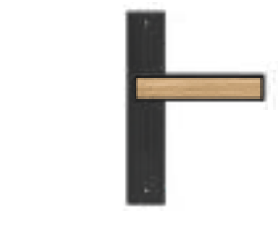


F534Y EAR 83
lockable with key



INLAY GW
inlay glass glossy white

LEVER HANDLES ON PLATE



RLE UN 83
RD53YR 83



BRLE BB70 83
RD53YR 83

More information about lever handles on plate is available on page [148 >](#)

LIFT AND SLIDE DOOR HANDLES



EHSSET52Q UN 83

PULL HANDLES

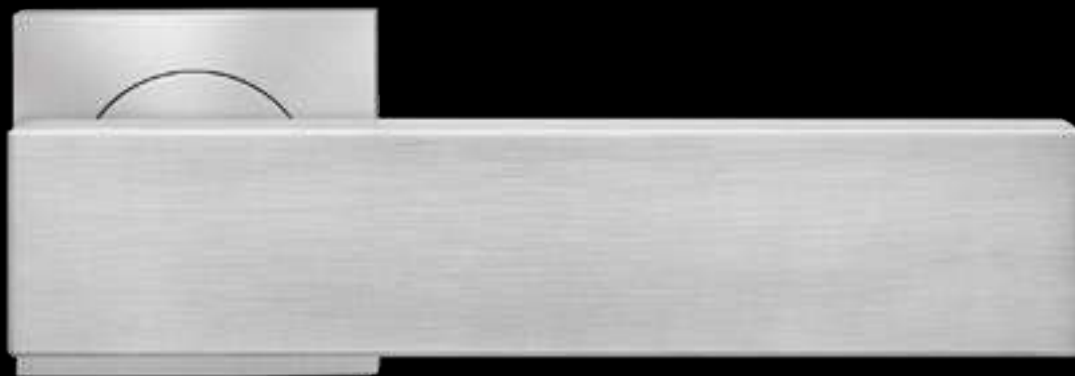


ES6Q 600 83

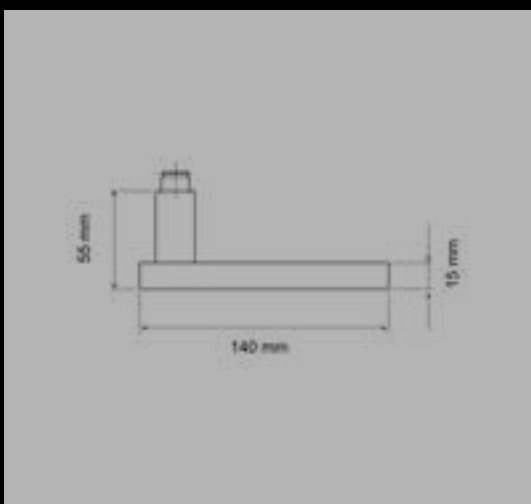
DESIGNS OF STAINLESS STEEL

Milano ER52Q

Studio Karcher



DESIGNS OF STAINLESS STEEL



colour:
satin stainless steel

Material:
stainless steel

certification:
GK3
Fire resistance

COLOUR



satin stainless steel
71



satin stainless steel
71

KARCHER
DESIGN

LEVER HANDLES ON ROSE



ER52 0S 71
Rose: Ø 52x10 mm



ER52Q 0S 71
Rose: 52x52x10 mm



ER52 S9 71, KD Comfort
Rose: Ø 52x10 mm



ER52Q S9 71, KD Comfort
Rose: 52x52x10 mm



WINDOW HANDLE



EF524 71
turn before tilt 4-position
ratchet



EF524Q 71
turn before tilt 4-position
ratchet



EF524 EAR 71
lockable with key



EF524 EARQ 71
lockable with key

POCKET DOOR SET



EPD 71



EPDQ 2 71

LIFT AND SLIDE DOOR HANDLES



EHSSET52Q UN 71

PULL HANDLES



ES6Q 600 71

More information about pocket door set is available on page [166 >](#)

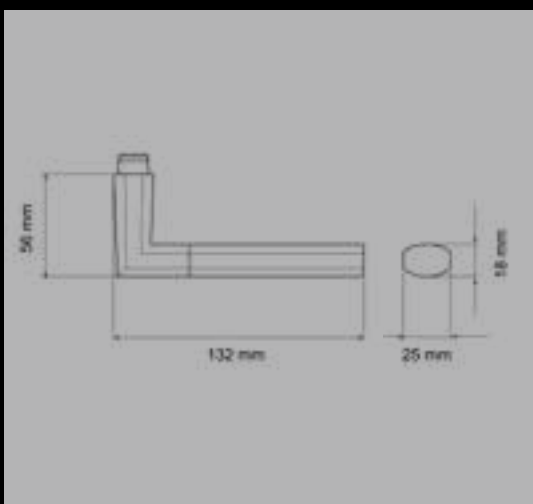
DESIGNS OF STAINLESS STEEL

Oregon ER48

Studio Karcher



DESIGNS OF STAINLESS STEEL



colour:
satin stainless steel

Material:
stainless steel

certification:
GK3
Fire resistance

COLOUR



satin stainless steel
71



satin / polished stainless steel
73

KARCHER
DESIGN

LEVER HANDLES ON ROSE



ER48 OS 71
Rose: Ø 52x10 mm



ER48Q OS 71
Rose: 52x52x10 mm



ER48 OS 73
Rose: Ø 52x10 mm



ER48Q OS 73
Rose: 52x52x10 mm

WINDOW HANDLE



EF484 71
turn before tilt 4-position
ratchet



EF484 EAR 71
lockable with key



ER48Q BB0 73 | satin / polished stainless steel

LEVER HANDLES ON PLATE



RLE48 BB072 71



RLE48 BB072 73

PULL HANDLES



ES48 300 71



ES48 400 71

More information about lever handles on plate is available on page [148 >](#)

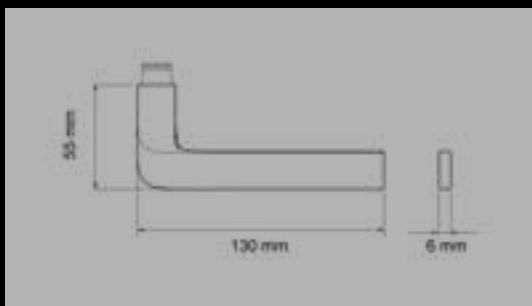
DESIGNS OF STAINLESS STEEL

Las Vegas ER87

Itamar Harari



DESIGNS OF STAINLESS STEEL



colour:
satin stainless steel

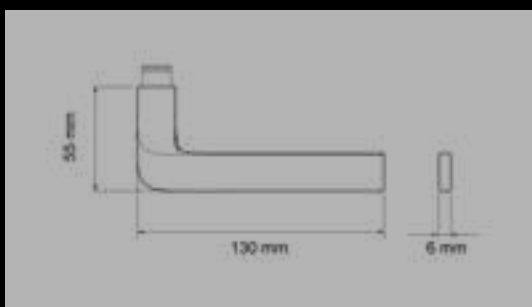
Material:
stainless steel
certification:
GK3

Las Vegas ER87

Itamar Harari



DESIGNS OF STAINLESS STEEL

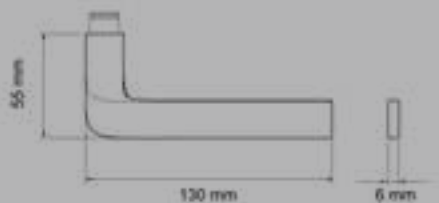


colour:
polished stainless steel

Material:
stainless steel
certification:
GK3

Las Vegas ER87Q

Itamar Harari



colour:
satin stainless steel

Material:
stainless steel
certification:
GK3

LEVER HANDLES ON ROSE



ER87 OS 71
Rose: Ø 52x10 mm



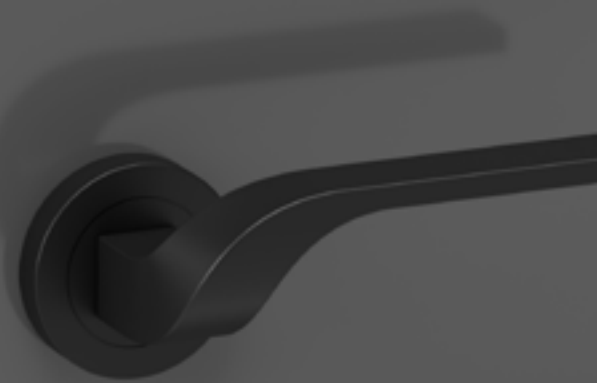
ER87Q OS 71
Rose: 52x52x10 mm



ER87 OS 72
Rose: Ø 52x10 mm



ER87QM OS 71
Rose: 30x30x2 mm



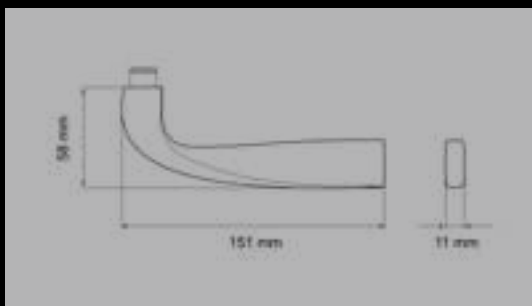
Las Vegas – ER87 OS 83
cosmos black

Nevada ER88

Studio Karcher



DESIGNS OF STAINLESS STEEL



colour:
satin stainless steel

Material:
stainless steel
certification:
GK3

LEVER HANDLES ON ROSE



ER88 OS 71
Rose: Ø 52x10 mm



ER88Q OS 71
Rose: 52x52x10 mm

WINDOW HANDLE



EF884 71
turn before tilt 4-position
ratchet

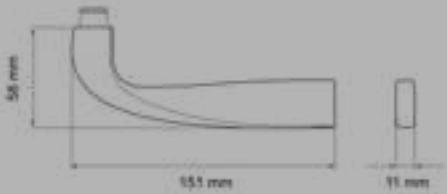


EF884R EAR 71
verschießbar, mit Schlüssel



Nevada ER88Q

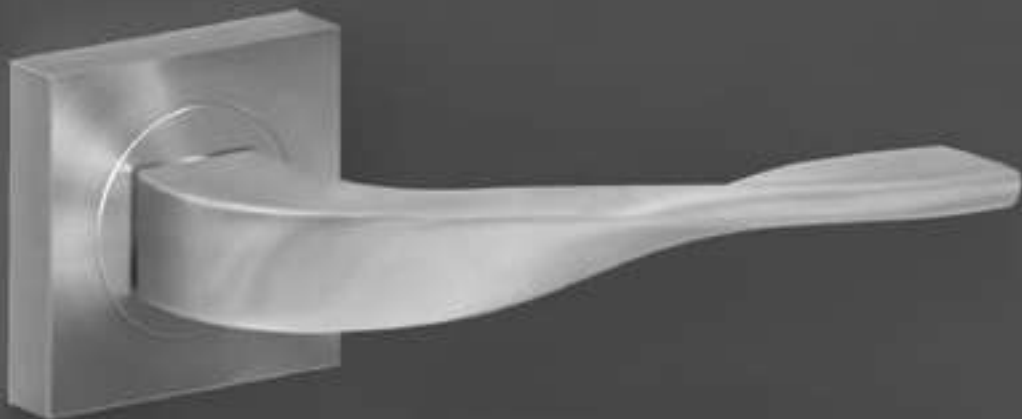
Studio Karcher



colour:
satin stainless steel

Material:
stainless steel
certification:
GK3

DESIGNS OF STAINLESS STEEL



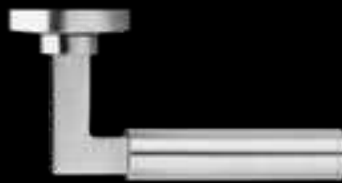
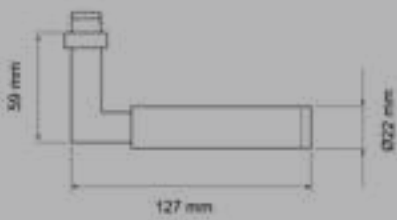
KARCHER
DESIGN

Tasmania ER31

Studio Karcher



DESIGNS OF STAINLESS STEEL



colour:
satin stainless steel

Material:
stainless steel

certification:
GK3, GK4
Fire resistance

COLOUR



satin stainless steel
71



polished stainless steel
72

LEVER HANDLES ON ROSE



ER31 OS 71
Rose: Ø 52x10 mm



ER31Q OS 71
Rose: 52x52x10 mm



ER31Q S9 71, KD Comfort
Rose: 52x52x10 mm



ER31 S9 71, KD Comfort
Rose: Ø 52x10 mm



EPL31 OS 71, Plan Design
Rose: Ø 55x3 mm



EPL31Q OS 71, Plan Design
Rose: 55x55x3 mm



More information about KD Comfort is available on page 66 >

WINDOW HANDLE



EF314 71
turn before tilt 4-position ratchet



EF314Q 71
turn before tilt 4-position ratchet



EF314 EARQ 71
lockable with key



EF314 EAR 71
lockable with key

PULL HANDLES



ES31 400 71

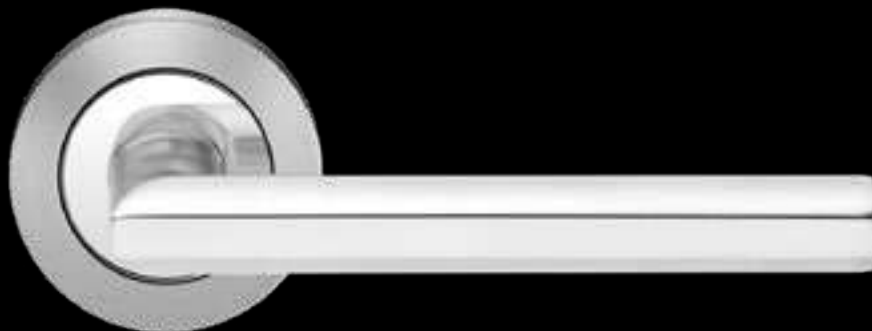
Chantier Yana, Meribel | Photo Valentin Studio



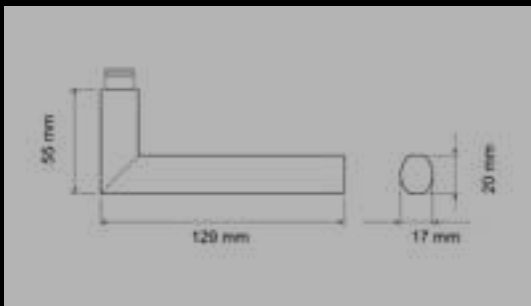
DESIGNS OF STAINLESS STEEL

Porto ER43

Studio Karcher



DESIGNS OF STAINLESS STEEL



colour:
satin / polished stainless steel

Material:
stainless steel
certification:
GK3
Fire resistance

LEVER HANDLES ON ROSE



ER43 OS 73
Rose: Ø 52x10 mm



ER43Q OS 73
Rose: 52x52x10 mm

WINDOW HANDLE



EF434 73
turn before tilt 4-position
ratchet



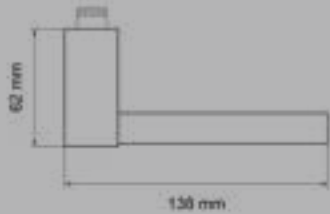
EF434 EAR 73
lockable with key

KARCHER
DESIGN



Portland ER47Q

Studio Karcher



colour:
satin stainless steel

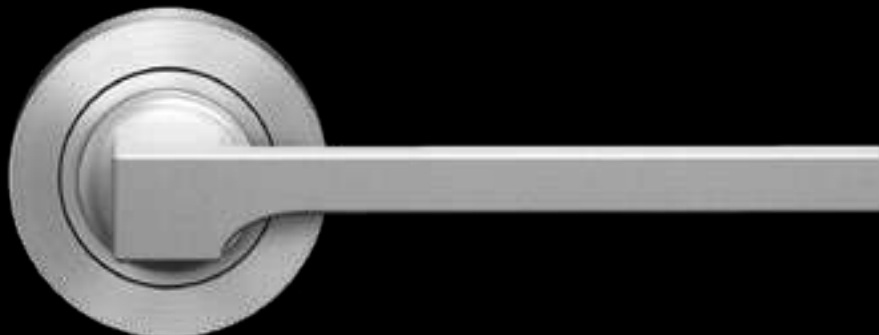
Material:
stainless steel
certification:
GK3
Fire resistance

DESIGNS OF STAINLESS STEEL

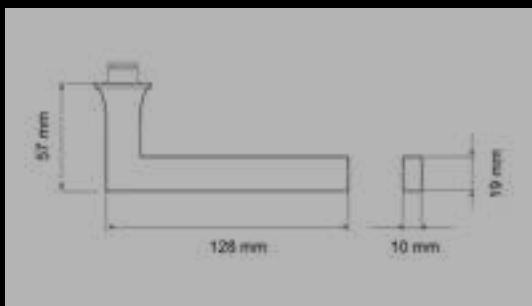


Soho ER57

Itamar Harari



DESIGNS OF STAINLESS STEEL

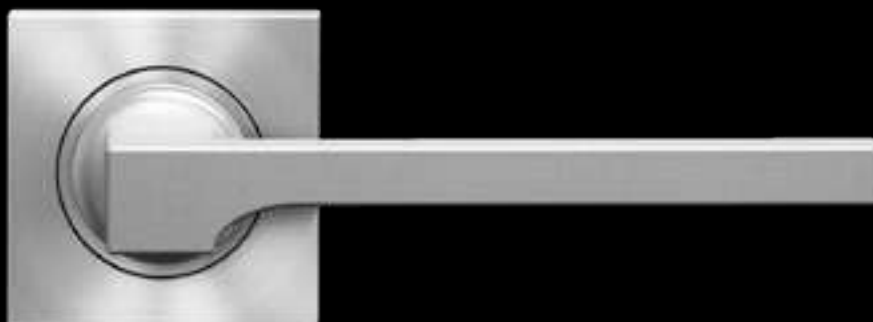


colour:
satin stainless steel

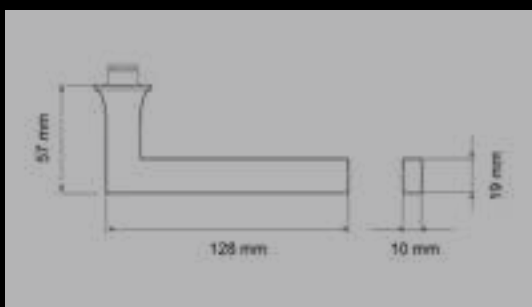
Material:
stainless steel
certification:
Fire resistance

Soho ER57Q

Itamar Harari



DESIGNS OF STAINLESS STEEL



colour:
satin stainless steel

Material:
stainless steel
certification:
Fire resistance

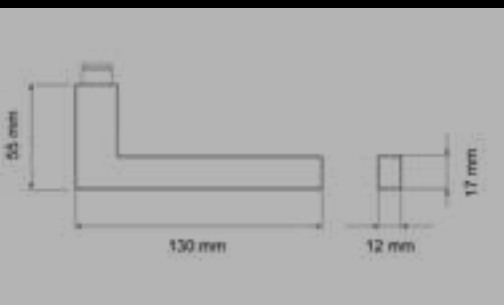
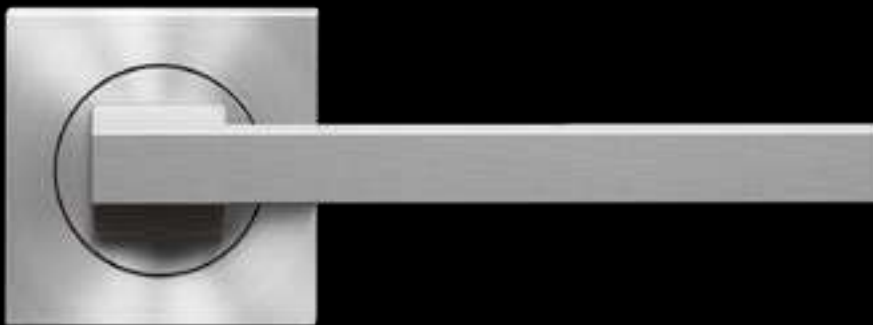


ER58Q 0S 83 | cosmos black

DESIGNS OF STAINLESS STEEL

Boston ER58Q

Studio Karcher



colour:
satin stainless steel

Material:
stainless steel

DESIGNS OF STAINLESS STEEL

MISSION INVISIBLE

- Mini rose – 30 mm diameter and only 2 mm thick
- Door handle and rose appear almost invisible
- Ideal for modern, purist interior design concepts
- New design models by Itamar Harari
- In the finish satin stainless steel, Cosmos Black and **NEW** Polaris White



DESIGNS OF STAINLESS STEEL

LEVER HANDLES ON ROSE



Soho – ER57M OS 83
cosmos black



Soho – ER57M OS 71
satin stainless steel



Soho – ER57M OS 84
polaris white



Boston – ER58QM OS 83
cosmos black



Boston – ER58QM OS 71
satin stainless steel



Boston – ER58QM OS 84
polaris white



Brooklyn – ER59M OS 83
cosmos black



Brooklyn – ER59M OS 71
satin stainless steel



Brooklyn – ER59M OS 84
polaris white



Rhodos – ER28M OS 83
cosmos black



Rhodos – ER28M OS 71
satin stainless steel



Rhodos – ER28M OS 84
polaris white



Las Vegas – ER87QM OS 83
cosmos black



Las Vegas – ER87QM OS 71
satin stainless steel

DESIGNS OF STAINLESS STEEL

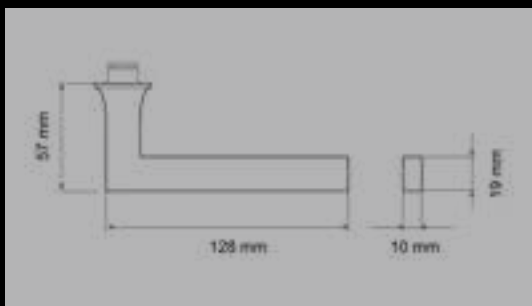
Soho ER57M

Itamar Harari

MISSION INVISIBLE



DESIGNS OF STAINLESS STEEL



colour:
satin stainless steel

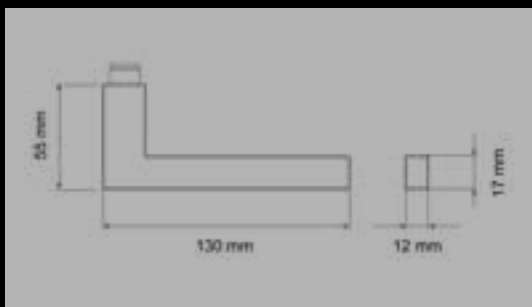
Material:
stainless steel

Boston ER58QM

Studio Karcher



DESIGNS OF STAINLESS STEEL



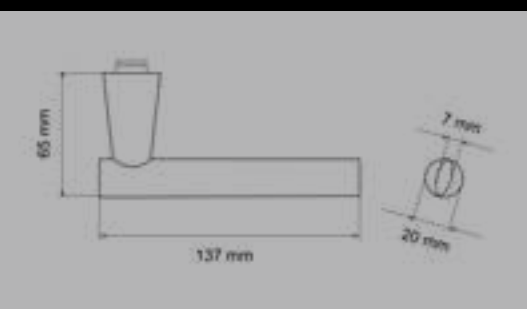
colour:
satin stainless steel

Material:
stainless steel

Brooklyn ER59M

Itamar Harari

MISSION INVISIBLE



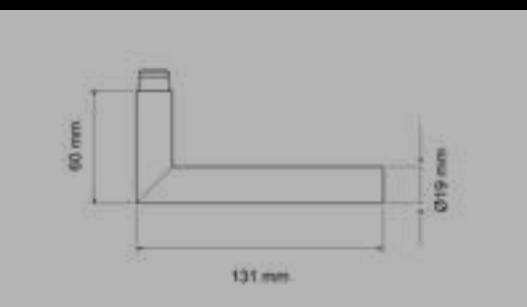
colour:
satin stainless steel

Material:
stainless steel

DESIGNS OF STAINLESS STEEL

Rhodos ER28M

Studio Karcher



colour:
satin stainless steel

Material:
stainless steel

DESIGNS OF STAINLESS STEEL

PLAN DESIGN

LEVER HANDLES ON ROSE



Rhodos
EPL28 OS 71
satin stainless steel



Rhodos
EPL28 OS 81
oil rubbed bronze



Rhodos
EPL28 OS 83
cosmos black



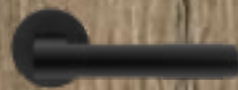
Rhodos
EPL28 OS 89
titan grey



Tasmania
EPL31 OS 71
satin stainless steel



Madeira
EPL45 OS 71
satin stainless steel



Madeira
EPL45 OS 83
cosmos black



Madeira
EPL45 OS 81
oil rubbed bronze



Rhodos
EPL28Q OS 71
satin stainless steel



Madeira
EPL45Q OS 71
satin stainless steel



Rhodos
EPL28Q OS 83
cosmos black



Madeira
EPL45Q OS 81
oil rubbed bronze



Seattle
EPL46Q OS 71
satin stainless steel



Seattle
EPL46Q OS 81
oil rubbed bronze



Seattle
EPL46Q OS 83
cosmos black



Seattle
EPL46Q OS 89
titan grey

Compatible with over 70
Karcher Design door handle
models

Flowing transitions and flush aesthetics are hallmarks of the Plan Design series from KARCHER DESIGN. The Plan Design fittings combine modern design and functionality integrated into the door leaf.

DESIGNS OF STAINLESS STEEL



plan-design

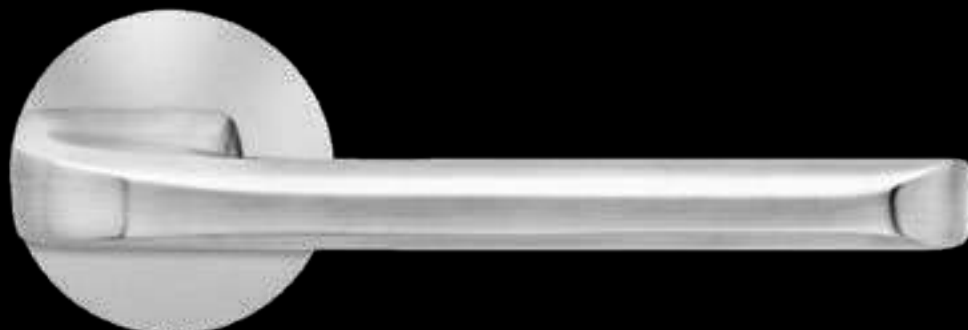
Montana
EPL54Q BB0 89
titan grey,
surface mounted

DESIGNS OF STAINLESS STEEL

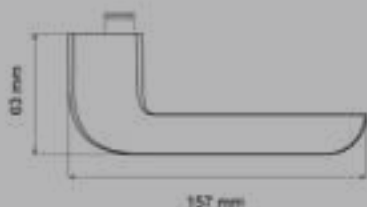
Tower EPL86

Studio Karcher

plan-design
by KARCHER



DESIGNS OF STAINLESS STEEL

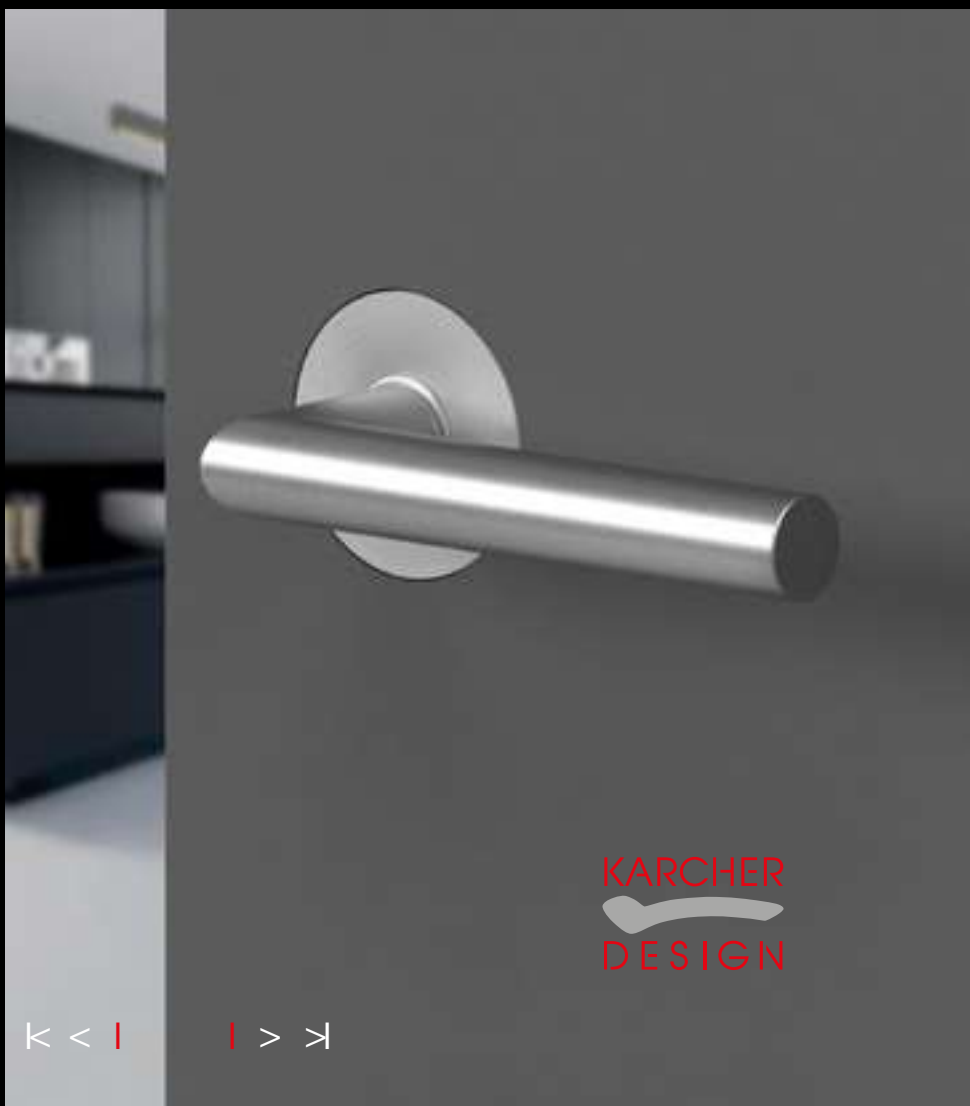


colour:
satin stainless steel

Material:
stainless steel



The Plan Design range impresses with its minimalist aesthetics in modern design concepts. The 3 mm thin, round roses can be milled in or surface mounted. Video instructions and a precise routing template can be available. Simply scan the QR code.

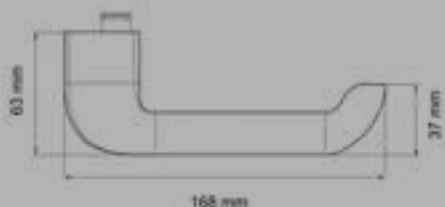


KARCHER
DESIGN

Kent EPL96

Studio Karcher

plan-design
by KARCHER



colour:
satin stainless steel

Material:
stainless steel
cuir marron claire



LEVER HANDLES ON ROSE



EPL96LH 0S 71, Plan Design
Rose: Ø 55x3 mm
light brown leather



EPL96LD 0S 71, Plan Design
Rose: Ø 55x3 mm
dark brown leather



EPL96LS 0S 71, Plan Design
Rose: Ø 55x3 mm
black leather

One Tower Bridge Hotel, London

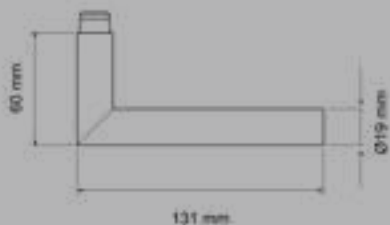
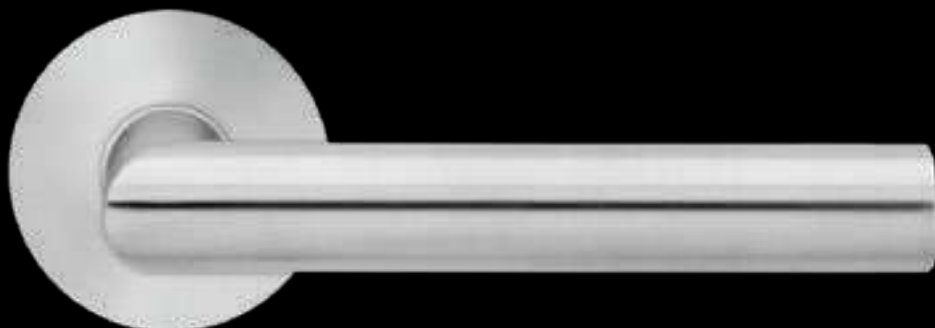


DESIGNS OF STAINLESS STEEL

Rhodos EPL28 OS 71

Studio Karcher

plan-design
by KARCHER



colour:
satin stainless steel

Material:
stainless steel
certification:
GK3, GK4
Fire resistance

COLOUR



cosmos black
83



oil rubbed bronze
81



titan grey
89

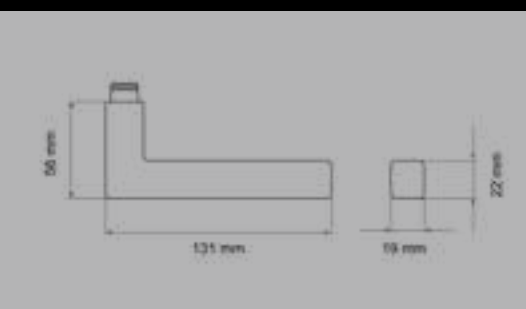
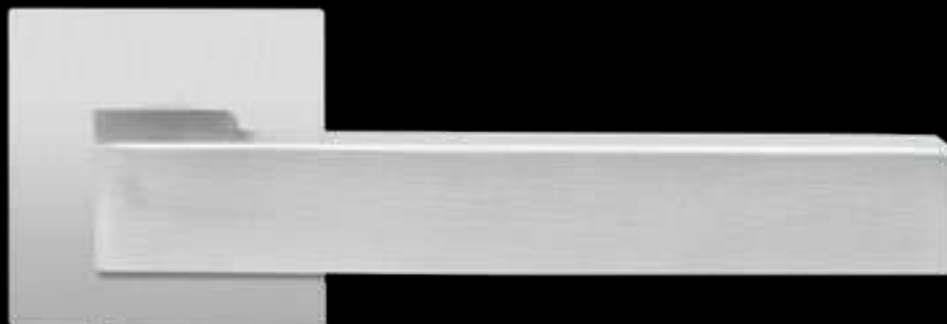


KARCHER
DESIGN

Seattle EPL46Q 0S 71

Studio Karcher

plan-design
by KARCHER



colour:
satin stainless steel

Material:
stainless steel
certification:
GK3, GK4
Fire resistance

DESIGNS OF STAINLESS STEEL



COLOUR



cosmos black
83



oil rubbed bronze
81



titan grey
89

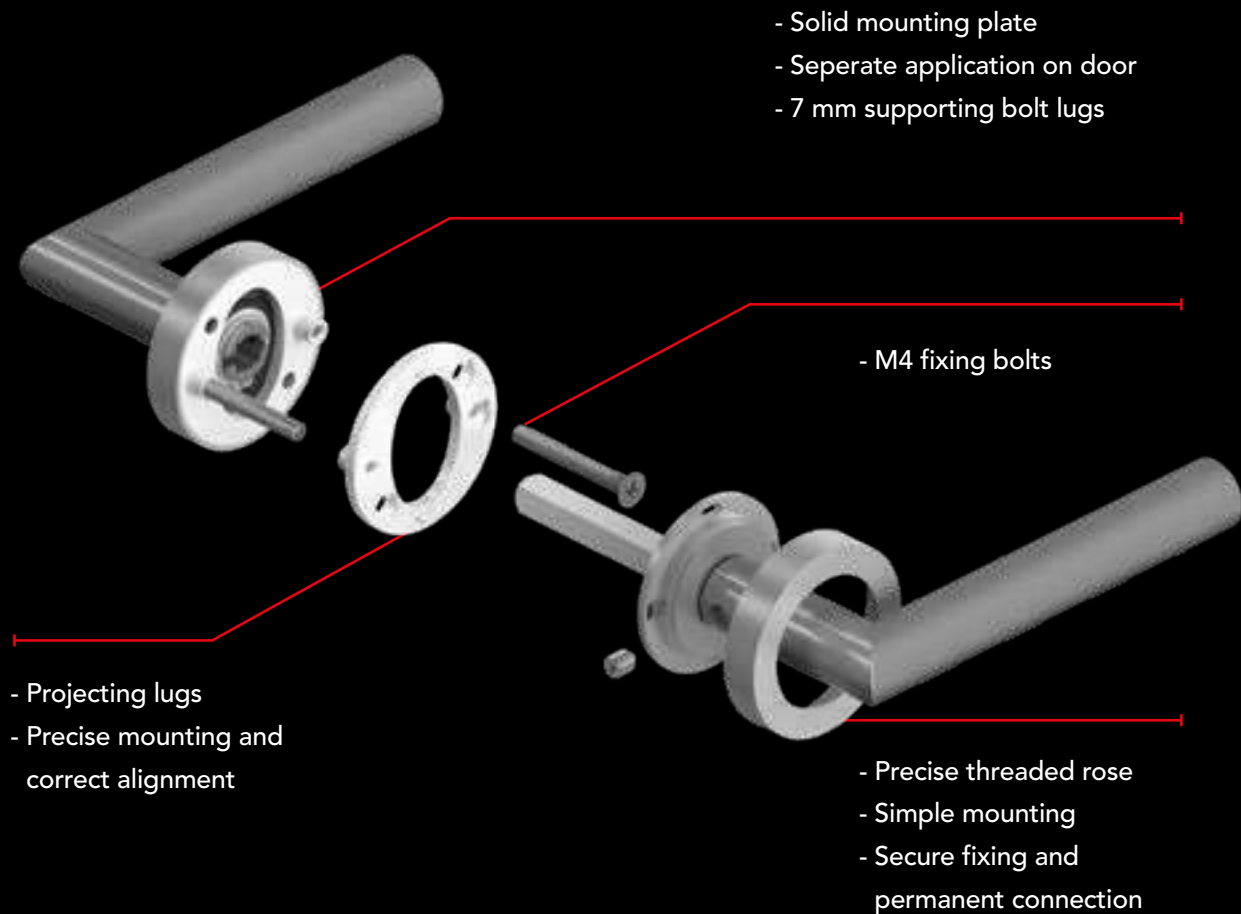
3-PIECE ROSE SYSTEM



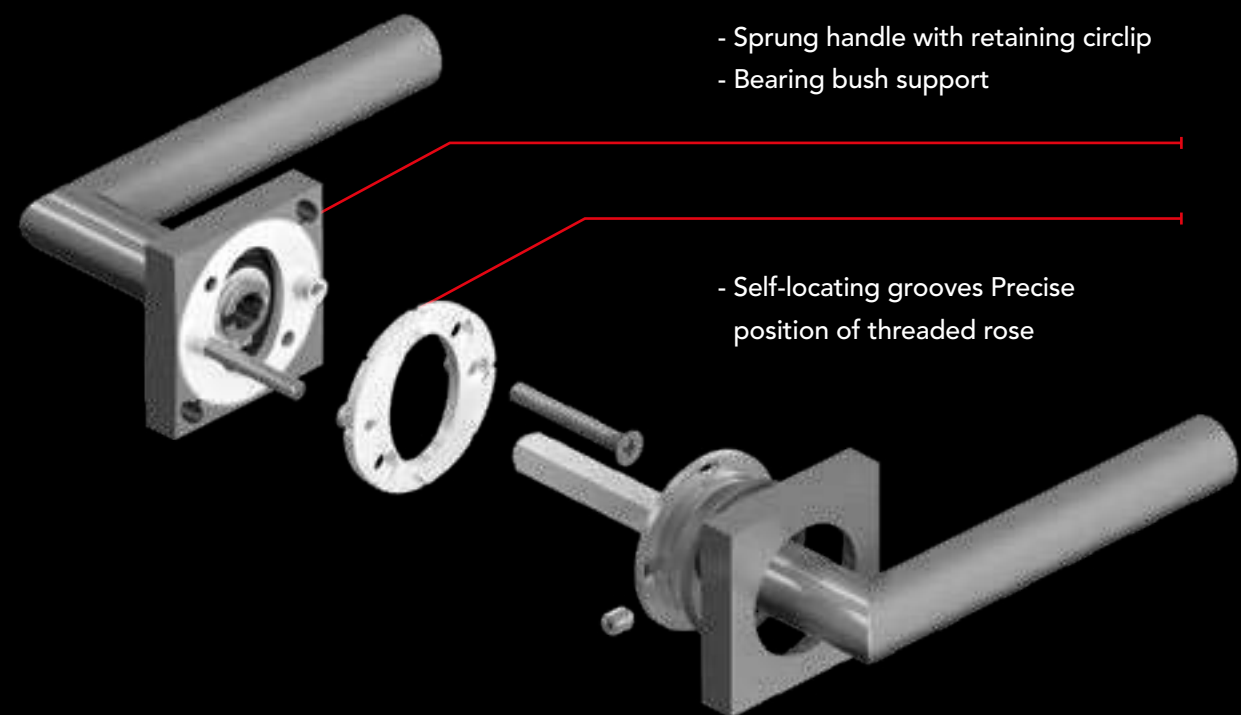
DESIGNS OF STAINLESS STEEL

KARCHER
DESIGN

3 PIECE, ROUND



3 PIECE, SQUARE



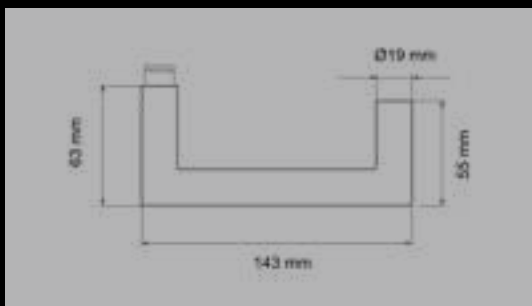
DESIGNS OF STAINLESS STEEL

Kos ER20

Studio Karcher



DESIGNS OF STAINLESS STEEL



colour:
satin stainless steel
Material:
stainless steel
certification:
GK3, GK4
Fire resistance
Emergency doors

COLOUR



satin stainless steel
71



cosmos black
83



Derby College, The Roundhouse,
Photo Maber Architects

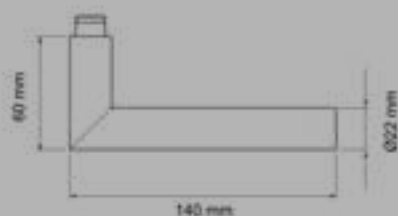
KARCHER

DESIGN

Rhodos XL ER18

Studio Karcher

22 mm
diameter 



colour:
satin stainless steel
Material:
stainless steel
certification:
GK3, GK4
Fire resistance

DESIGNS OF STAINLESS STEEL

LEVER HANDLES ON ROSE



ER18 OS 71
Rose: Ø 52x10 mm



EPRO18 OS 71
Rose: Ø 55x8 mm



EZ149V 26 71
ED28 71

PRODUCTS FOR FRAME DOORS

More information about lever handles for frame doors is available on page [146 >](#)

WINDOW HANDLE



EF184 71
turn before tilt 4-position ratchet



EF184 EAR 71
lockable with key

KARCHER

DESIGN

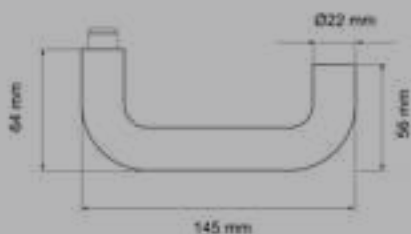
Crete XL ER17

Studio Karcher

22 mm



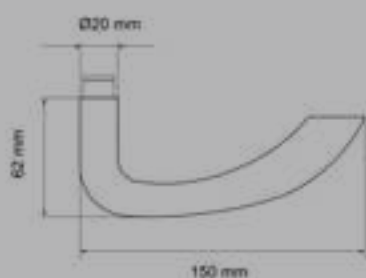
diameter



colour:
satin stainless steel
Material:
stainless steel
certification:
GK3, GK4
Fire resistance
Emergency doors

Jersey ER19

Studio Karcher



colour:
satin stainless steel
Material:
stainless steel
certification:
GK3
Fire resistance
Emergency doors

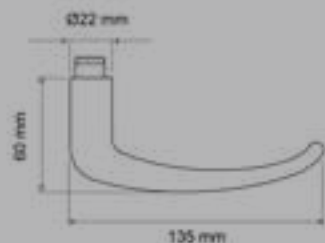
DESIGNS OF STAINLESS STEEL

DESIGNS OF STAINLESS STEEL

Elba ER22

Studio Karcher

22 mm 
diameter



colour:
satin stainless steel
Material:
stainless steel
certification:
GK3, GK4
Fire resistance
Emergency doors

DESIGNS OF STAINLESS STEEL

LEVER HANDLES ON ROSE



ER22 OS 71
Rose: Ø 52x10 mm



EPRO22 OS 71
Rose: Ø 55x8 mm



EPL22 OS 71, Plan Design
Rose: Ø 55x3 mm

WINDOW HANDLE



EF224 71
turn before tilt 4-position
ratchet



EF224 EAR 71
lockable with key

KARCHER

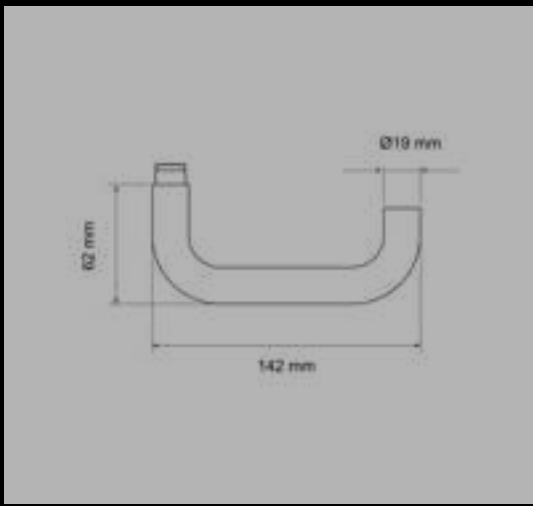
DESIGN

Crete ER27

Studio Karcher



DESIGNS OF STAINLESS STEEL



colour:
satin stainless steel

Material:
stainless steel

certification:
GK3, GK4
Fire resistance
Emergency doors

COLOUR



satin stainless steel
71



cosmos black
83



LEVER HANDLES ON ROSE



ER27 OS 71
Rose: Ø 52x10 mm



ER27 S9 71, KD Comfort
Rose: Ø 52x10 mm



More information about KD Comfort
is available on page 66 >

PROTECTIVE LEVER HANDLES



ESGR 680K PZ72 71
ED27 71



ESG 675K PZ72 71
ED27 71



ER27 PZ0 83 | cosmos black

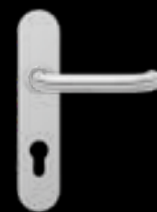
PRODUCTS FOR FRAME DOORS



BELRMA PZ70 71



EZ149V 26 71
ED27 71



ELX PZ72 71
ED27 71

LEVER HANDLES ON PLATE PULL HANDLES

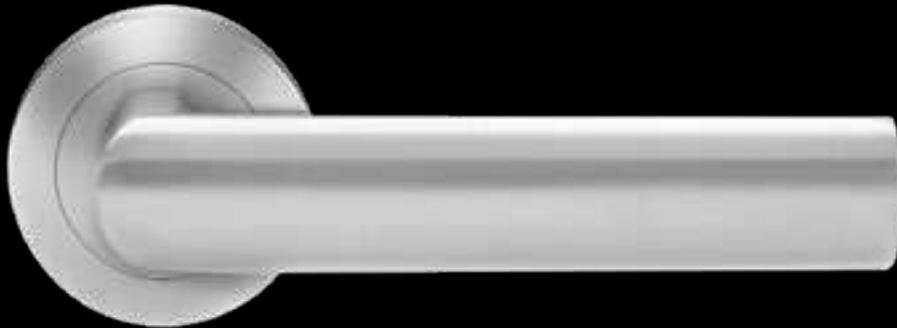


ES37 300 71

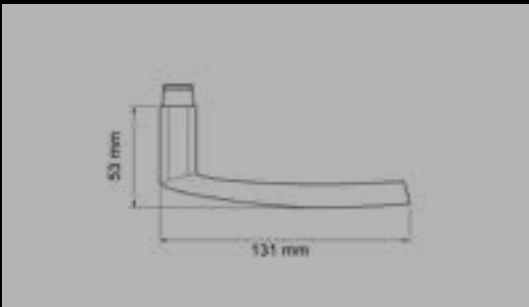
DESIGNS OF STAINLESS STEEL

Iceland ER14

Studio Karcher



DESIGNS OF STAINLESS STEEL



colour:
satin stainless steel
Material:
stainless steel
certification:
GK3
Fire resistance

LEVER HANDLES ON ROSE



ER14 OS 71
Rose: Ø 52x10 mm



ER14 S9 71, KD Comfort
Rose: Ø 52x10 mm

WINDOW HANDLE



EF144 71
turn before tilt 4-position
ratchet

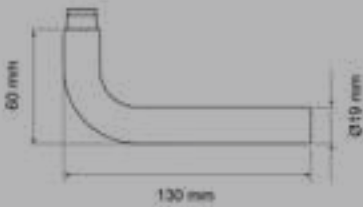
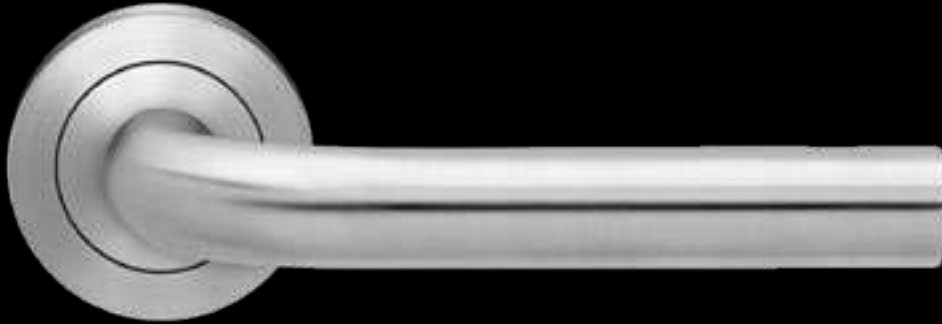


EF144 EAR 71
lockable with key



Malta ER25

Studio Karcher



colour:
satin stainless steel
Material:
stainless steel
certification:
GK3, GK4
Fire resistance

DESIGNS OF STAINLESS STEEL



LEVER HANDLES ON ROSE



ER25 OS 71
Rose: Ø 52x10 mm



ER25 S9 71, KD Comfort
Rose: Ø 52x10 mm

WINDOW HANDLE



EF254 71
turn before tilt 4-position
ratchet



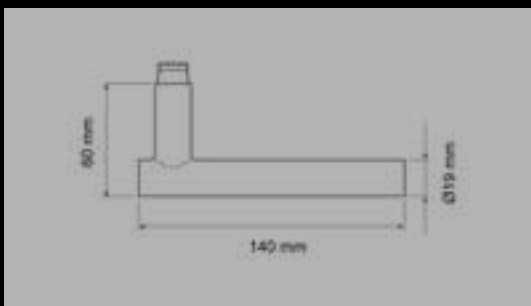
EF254 EAR 71
lockable with key

Manhattan ER21

Studio Karcher



DESIGNS OF STAINLESS STEEL



colour:
satin stainless steel
Material:
stainless steel
certification:
GK3
Fire resistance

LEVER HANDLES ON ROSE



ER21 OS 71
Rose: Ø 52x10 mm



ER21 S9 71, KD Comfort
Rose: Ø 52x10 mm



KD COMFORT

AVAILABLE WITH
70 DOOR HANDLE MODELS

SIMPLY COMFORTABLE

KD Comfort offers an ingenious, yet simple, all-in-one package. Each pair of door handles comes packaged with the high quality KD Comfort mortise lock. The lock itself is made to fit the standard dimensions of DIN 18251.

(CHILD)SAFE

KD Comfort offers built-in protection against being accidentally locked in or out of the room. Every time the latch-bolt is cycled, the locking mechanism is reset. Unlocking the door is as easy as pressing down the inner door handle. This intuitiveness makes KD Comfort ideal for children and the elderly.

WINDOW HANDLE



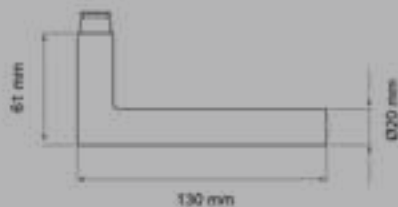
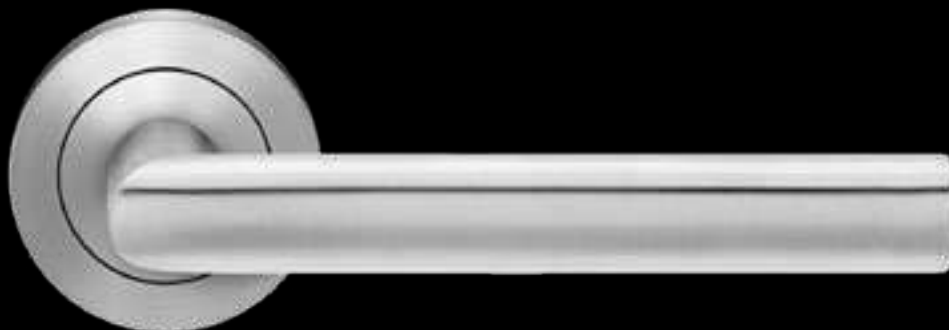
EF214 71
turn before tilt 4-position
ratchet



EF214 EAR 71
lockable with key

Cyprus ER29

Studio Karcher



colour:
satin stainless steel
Material:
stainless steel
certification:
GK3
Fire resistance

DESIGNS OF STAINLESS STEEL



THIS IS ALSO COMPLIMENTED BY AN ANTI-LOCK-OUT FUNCTION.

Not only child's play in terms of operation, but also big in design. Ideal for customers with an affinity for aesthetics who want to combine innovative technologies and modern designs without compromise.

KD Comfort is available with over 70 Karcher Design door handle models in the finishes satin stainless steel, polished/matt stainless steel, Cosmos Black and Titan Grey.

More information available on page [66 >](#)



www.kdcomfort.com



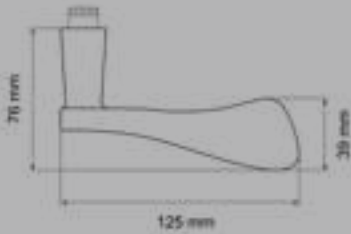
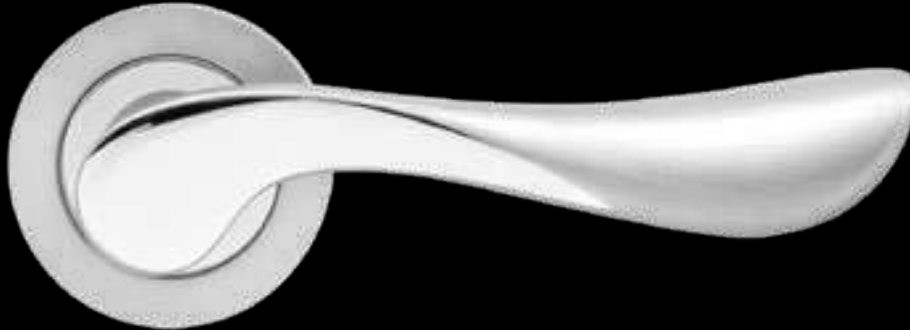
DESIGNS OF STAINLESS STEEL

DESIGNS OF STAINLESS STEEL



Stockholm ER79

Studio Karcher

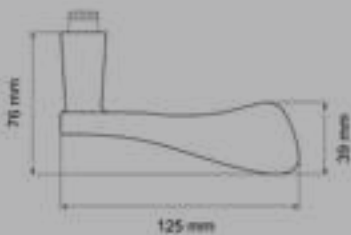


colour:
satin / polished stainless steel
Material:
stainless steel
certification:
GK3
Fire resistance

DESIGNS OF STAINLESS STEEL

Stockholm R79

Studio Karcher

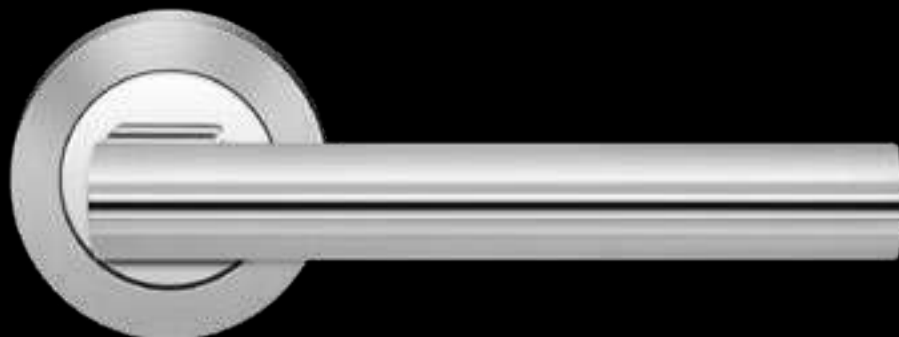


colour:
polished zirconium
Material:
material combination

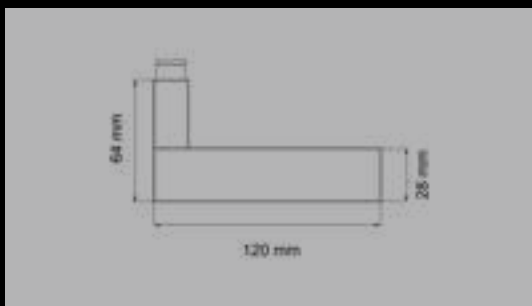
DESIGNS OF STAINLESS STEEL

Chicago R220

Itamar Harari



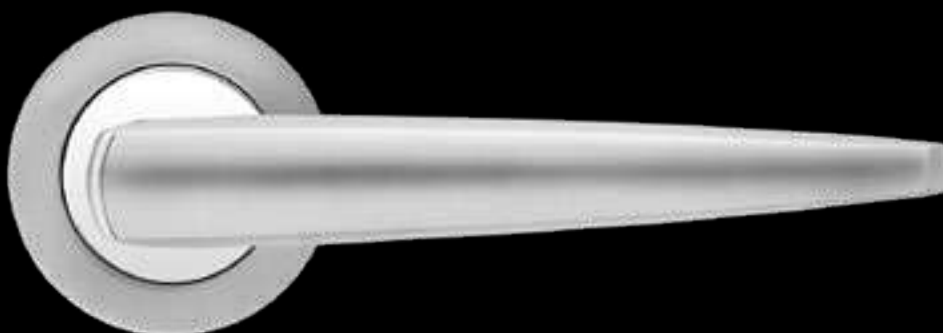
DESIGNS OF STAINLESS STEEL



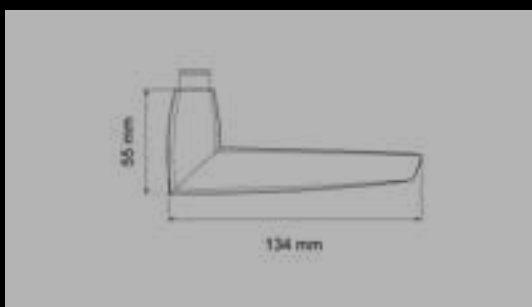
colour:
chrome / satin chrome
Material:
material combination

Denver R230

Studio Karcher



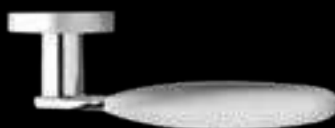
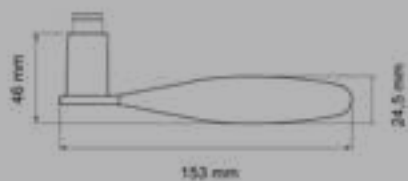
DESIGNS OF STAINLESS STEEL



colour:
chrome / satin chrome
Material:
material combination

Antalya R250

Studio Karcher



colour:
chrome / satin chrome
Material:
material combination

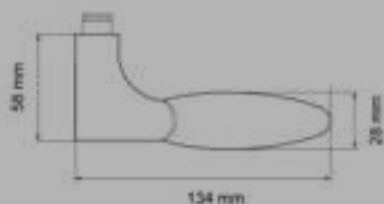
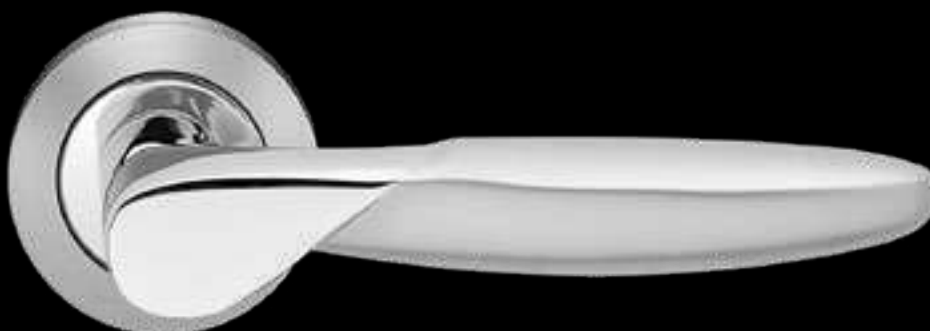
DESIGNS OF STAINLESS STEEL

Orlando R42

Studio Karcher

Orlando R42W

window handle and lever
without rose with white
SWAROVSKI-crystal



colour:
chrome / satin chrome
Material:
material combination

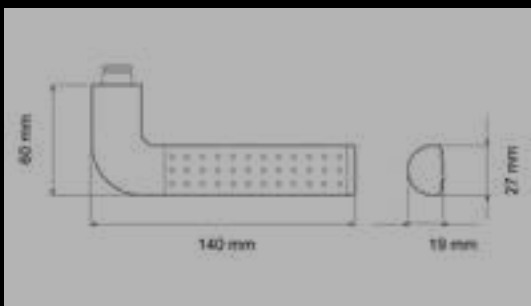
DESIGNS OF STAINLESS STEEL

Phoenix R40

Studio Karcher



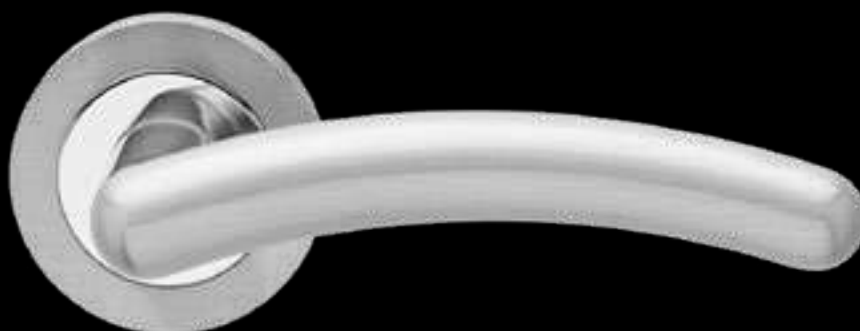
DESIGNS OF STAINLESS STEEL



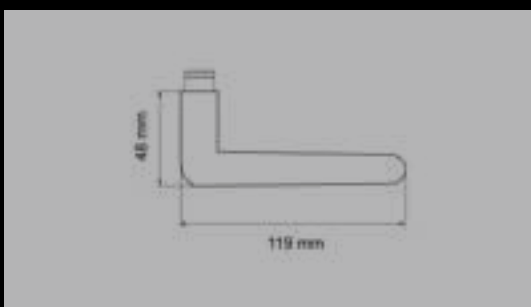
colour:
chrome / satin stainless steel
Material:
material combination

Gent R473

Studio Karcher



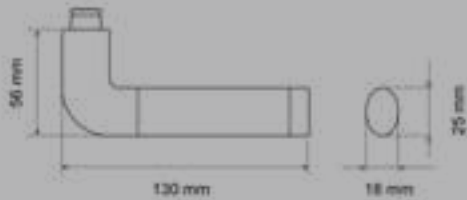
DESIGNS OF STAINLESS STEEL



colour:
chrome / satin stainless steel
Material:
material combination

Babylon ER32

Studio Karcher

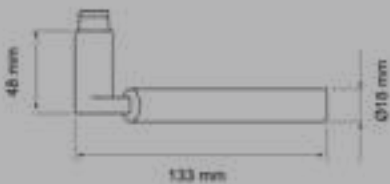


colour:
satin / polished stainless steel
Material:
stainless steel
certification:
GK3
Fire resistance

DESIGNS OF STAINLESS STEEL

Atlantis ER36

Studio Karcher



colour:
satin / polished stainless steel
Material:
stainless steel
certification:
GK3
Fire resistance

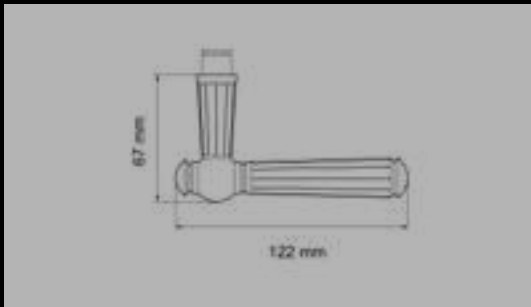
DESIGNS OF STAINLESS STEEL

Schöntal R260

Studio Karcher



DESIGNS OF STAINLESS STEEL



colour:
chrome
Material:
material combination

COLOUR



chrome
50



polished zirconium
78

WINDOW HANDLE



F2604R 50
turn before tilt 4-position
ratchet



F2604R 78
turn before tilt 4-position
ratchet

LEVER HANDLES ON PLATE



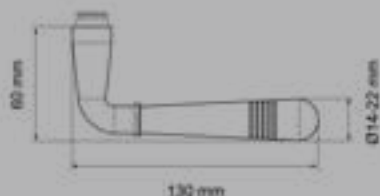
L260 BB072 50
keyhole



L260 BB072 78
keyhole

Montmartre R270

Studio Karcher



colour:
chrome
Material:
material combination

DESIGNS OF STAINLESS STEEL

COLOUR



chrome
50



polished zirconium
78

WINDOW HANDLE



F2704 50
turn before tilt 4-position
ratchet



F2704 78
turn before tilt 4-position
ratchet

LEVER HANDLES ON PLATE



L270 BB072 50
keyhole



L270 BB072 78
keyhole



GLASS DOOR LOCKS

The KARCHER DESIGN stainless steel glass door locks can be combined with all KARCHER DESIGN door handle models and are available as a set with a whisper latch including two hinges and two frame parts for wooden frames.

EGS 360Q 0S 83
cosmos black

ER54 0DS 83
cosmos black



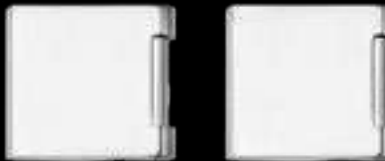
reddot award 2019
winner

KARCHER
DESIGN

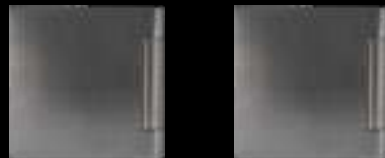
GLASS DOOR LOCKS



EGS 360Q 0S 71 | satin stainless steel
ER28 0DS 71



EGS 360Q 0S 72 | polished stainless steel
ER46 0DS 72 72



EGS 360Q 0S 89 | titan grey
ER54 0DS 89



EGS 360Q 0S 83 | cosmos black
ER55 0DS 83



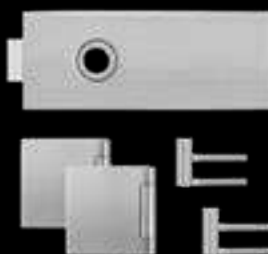
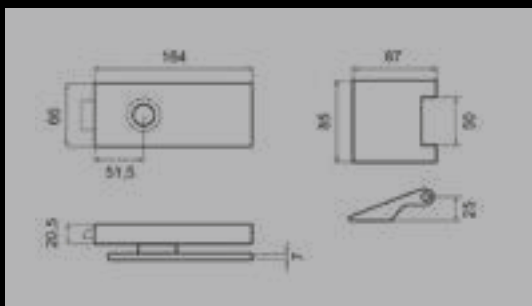
EGS 360Q 0S 81 | oil rubbed bronze
ER45 0DS 81

Glass door lock set EGS 360Q

Studio Karcher



DESIGNS OF STAINLESS STEEL



colour:
satin stainless steel

Material:
stainless steel

glass door lock with
levers, with hinges

GLASS DOOR LOCKS



EGS 110Q 0S 71
non-lockable



EGS 110Q BB 71
keyhole



EGS 110Q PZ 71
Euro profile cylinder



EGSG 110Q 71
strike box



EGS 110Q BAD 71 IN
turn/release



EGS 110Q BAD 71 AU
turn/release



EGB 402Q 71
3-piece glass door hinge, 1
pair

COLOUR



satin stainless steel
71



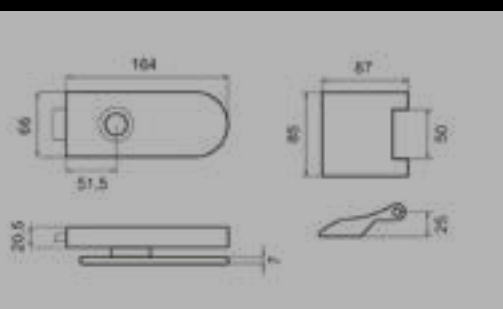
polished stainless steel
72

DESIGNS OF STAINLESS STEEL



Glass door lock set EGS 370

Studio Karcher



colour:
satin stainless steel

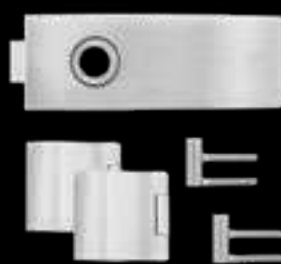
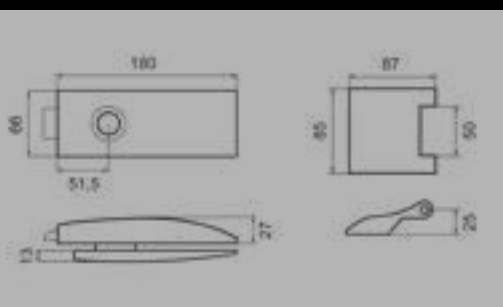
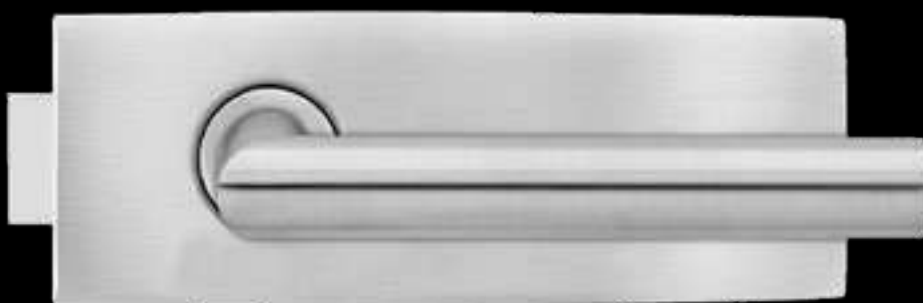
Material:
stainless steel

glass door lock with
levers, with hinges

DESIGNS OF STAINLESS STEEL

Glass door lock set EGS 350

Studio Karcher



colour:
satin stainless steel

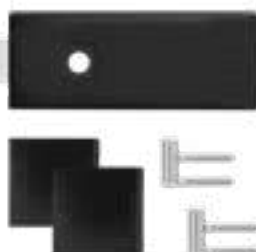
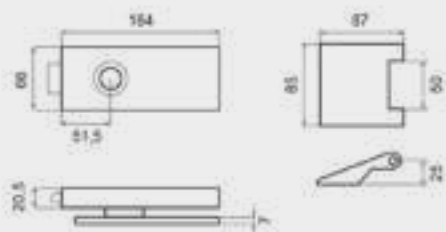
Material:
stainless steel

glass door lock with
levers, with hinges

DESIGNS OF STAINLESS STEEL

Glass door lock set EGS 360Q

Studio Karcher



colour:
cosmos black

Material:
stainless steel

glass door lock with
levers, with hinges

GLASS DOOR LOCKS



EGS 110Q OS 83
non-lockable



EGS 110Q PZ 83
Euro profile cylinder



EGSG 110Q 83
strike box



EGS 110Q BAD 83 IN
turn/release



EGS 110Q BAD 83 AU
turn/release



EGB 402Q 83
3-piece glass door hinge,
1 pair

COLOUR



cosmos black
83



titan grey
89



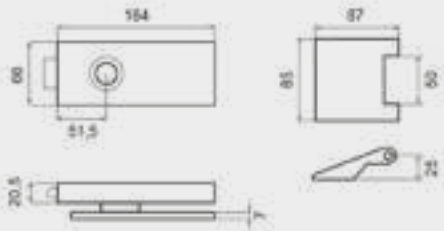
oil rubbed bronze
81

DESIGNS OF STAINLESS STEEL

DESIGNS OF STAINLESS STEEL

Glass door lock set EGS 360Q

Studio Karcher



colour:
titan grey

Material:
stainless steel

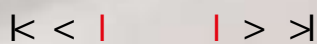
glass door lock with
levers, with hinges

DESIGNS OF STAINLESS STEEL



KARCHER
DESIGN

EGS 360Q BAD 89
ER46 ODS 89 | titan grey



DESIGNS OF STAINLESS STEEL



Glass door lock EGS GV

Studio Karcher

GLASS DOOR LOCK FOR CONSERVATORIES

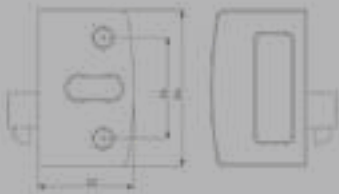


EGS GV 60 - rounded,
lockable by bolt
satin nickel

EGS GV RZ 60 - rounded,
lockable from both sides
satin nickel

EGS GV MS 55 - rectangular,
lockable from one side
satin chrome

EGS GVG 55 strike box
satin chrome



colour:
satin nickel
Material:
zamac

DESIGNS OF STAINLESS STEEL



KARCHER
DESIGN

SECURITY LEVER SET

Various security fittings are available from KARCHER DESIGN, which are certified according to DIN18257 in classes ES1, ES2 or ES3. Our security fittings and security escutcheons are available with or without cylinder pull protection or as a fire safety variant.



Compatible with over 70 KARCHER DESIGN door handle models – also available in Cosmos Black (83).

ESG 675K PZ72 83
cosmos black

ESGR 680K PZ72 83
cosmos black

SECURITY LEVER SET WITH LEVER RHODOS



Security lever set with lever Rhodos
ESG28 675 PZ72 71
satin stainless steel
certification:
ES1, SKG***, RC3, SK2, Fire resistance



Security lever set with lever Rhodos
ESG28 675K PZ72 71
satin stainless steel
certification:
ES1, SK2, Fire resistance



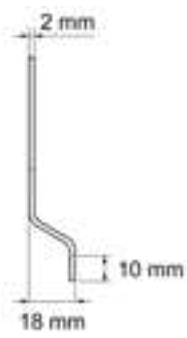
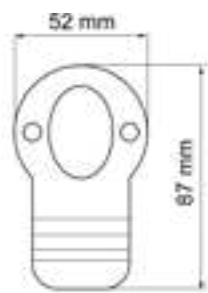
Security lever set with lever Rhodos
ESGR28 680 PZ72 71
satin stainless steel
certification:
ES2, SK3, Fire resistance



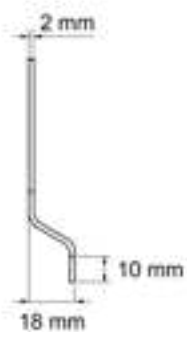
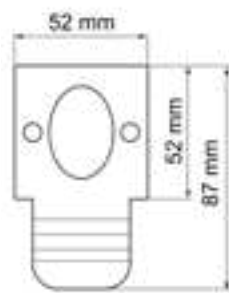
Security lever set with lever Rhodos
ESGR28 680K PZ72 71
satin stainless steel
certification:
ES2, SK3, Fire resistance



FINGER PULL ACCESSORY



CEZ1332 FPR 71



CEZ1340 FPR 71











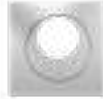










Available in satin stainless steel (71) and cosmos black (83)

CEZ1332 FPR 83 |
cosmos black



SECURITY ROSES

SECURITY ROSES

					
ESR332 PZ 71 Ø 52 mm SKG**, RC2, satin stainless steel	ESR332 PZ 72 Ø 52 mm SKG**, RC2, polished stain- less steel	ESR332 PZ 73 Ø 52 mm SKG**, RC2, satin / polished stainless steel	ESR332 PZ 74 Ø 52 mm SKG**, RC2, satin chrome / polished stainless steel	ESR332 PZ 83 Ø 52 mm SKG**, RC2, cosmos black	ESR332 PZ 78 Ø 52 mm SKG**, RC2, polished zirconium
					
ESR332 KAV 71 Ø 52 mm SKG**, RC2, satin stainless steel	ESR332 KAV 73 Ø 52 mm SKG**, RC2, satin / polished stainless steel	ESR335 PZ 73 Ø 52 mm SKG**, RC2, satin / polished stainless steel	ESR340Q PZ 71 52x52x10 mm SKG**, RC2, satin stainless steel	ESR340Q KAV 71 52x52x10 mm SKG**, RC2, satin stainless steel	
					
ESR300 KS 71 Ø 60 mm SKG***, RC3, satin stainless steel	ESR400Q KS 71 55x55x16 mm SKG***, RC3, satin stainless steel	ESR500 KS 71 Ø 55 mm ES1, SKG***, RC3, satin stainless steel	ESR500 KS 83 Ø 55 mm ES1, SKG***, RC3, cosmos black	ESR550Q KS 71 55x55x16 mm ES1, SKG***, RC3, satin stainless steel	ESR550Q KS 83 55x55x16 mm ES1, SKG***, RC3, cosmos black
					
ESR700 KS 71 Ø 52 mm SKG***, RC3, satin stainless steel	ESR700 KS 83 Ø 52 mm SKG***, RC3, cosmos black	ESR700Q KS 71 52x52x12 mm SKG***, RC3, satin stainless steel	ESR700Q KS 83 52x52x12 mm SKG***, RC3, cosmos black		

AESTHETIC. SLEEK. SECURE.
KARCHER DESIGN security escutcheons are built to exacting security standards and offer an unassuming appearance for customers with an affinity for design.

SKG = Certification SKG:
Stichting Kwaliteit Gevelbouw (NEN5089)

RC = Resistance class (EN1627)

ES = Protection Anti-Theft (DIN18257)



DOOR KNOBS

With KARCHER DESIGN, bring a consistent design into your living space from the door handle to the window handle to the door knob. Exclusivity and aesthetics for your home.

ERK550 GRQ 89 | titan grey
EZ1340 PZ 89

KARCHER
DESIGN

KNOBS



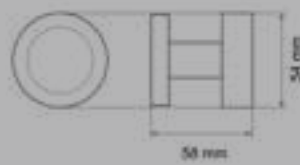
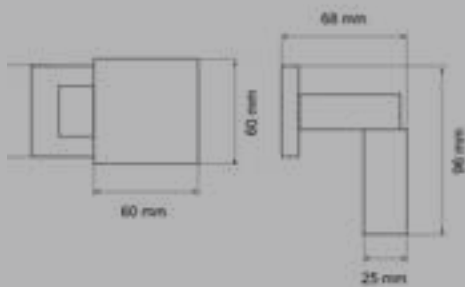
knob, cranked, turnable
ERK550D GRQ 71
satin stainless steel



knob, centered, turnable
ERK530D R2 71
satin stainless steel



knob, centered, turnable
ERK300D R 71
satin stainless steel



knob, cranked, turnable
ERK550D GRQ 81
oil rubbed bronze



knob, centered, turnable
ERK530D R2 83
cosmos black



knob, centered, turnable
ERK530D R2 89
titan grey

ERK530D R2 71

Studio Karcher



COLOUR



ERK530D R2 71 satin stainless steel
 ERK530D R2 72 polished stainless steel
 ERK530D R2 73 satin / polished stainless steel



ERK530D R2 81 oil rubbed bronze
 ERK530D R2 83 cosmos black
 ERK530D R2 89 titan grey

colour:
satin stainless steel

Material:
stainless steel

knob, centered, turnable



RK390 OS 60

Studio Karcher



COLOUR



RK390 OS 60 satin nickel
 RK390 OS 65 chrome / satin stainless steel
 RK390 OS 50 chrome

colour:
satin nickel

Material:
zamak

knob, centered, turnable

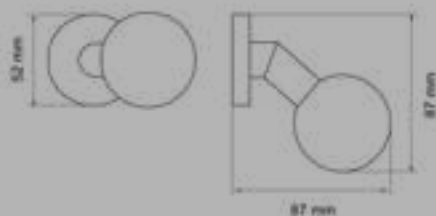


DESIGNS OF STAINLESS STEEL

DESIGNS OF STAINLESS STEEL

ERK300GD R 71

Studio Karcher



colour:
satin stainless steel

Material:
stainless steel
knob, cranked,
turnable

ERK530GD RL 71

Studio Karcher

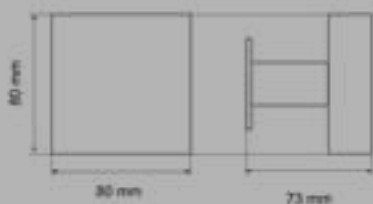


colour:
satin stainless steel

Material:
stainless steel
knob, cranked,
turnable

EK570 RQ 71

Studio Karcher



colour:
satin stainless steel

Material:
stainless steel
Entrance door knob,
centered, fixed

EK350 71

Studio Karcher



colour:
satin stainless steel

Material:
stainless steel
Entrance door knob,
centered, fixed

DESIGNS OF STAINLESS STEEL

DESIGNS OF STAINLESS STEEL

EPR

PERFORMANCE ROSE

EASIER – FASTER – MORE FLEXIBLE

With the EPR performance rosette, KARCHER DESIGN is rewriting the history of the screw rose: With innovative technology, the EPR combines strong performance with simple installation.

Thanks to its high-quality construction, it is ideally protected against vandalism and rough handling. The patented technology is certified according to DIN EN 1906 category of use 4, with safety class 1. With its firm and precise fit on the door, the performance rosette meets the highest standards.



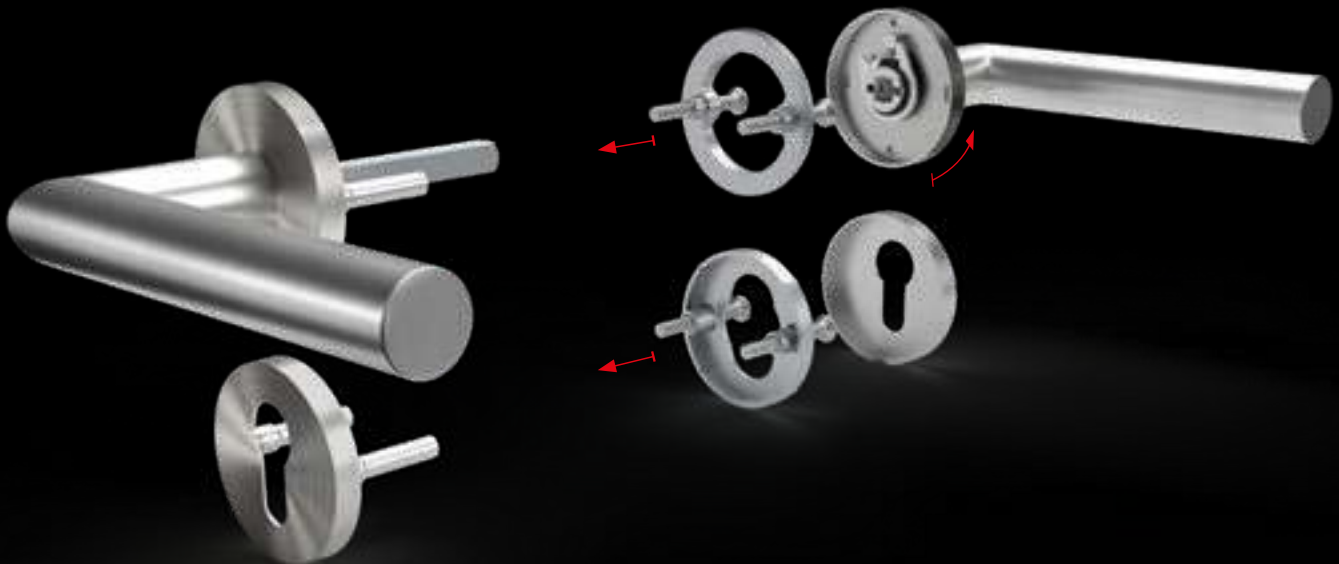
PERFECTLY
SUITED
FOR THE
COMMERCIAL
SECTOR

KARCHER
DESIGN

DESIGNS OF STAINLESS STEEL

Rhodos XL EPRO18

Studio Karcher



EPR – MORE THAN STANDARD | DIN EN 1906

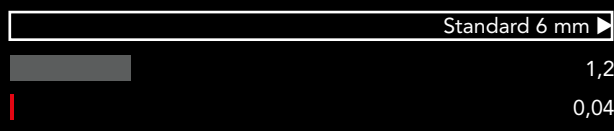
Torque resistance [mm]



Free angular movement [mm]



Free play [mm]



Axial strength 1kN [mm]



□ DIN 1906 - Requirement ■ Competition ■ EPR

HIGH SPEED – HIGH PERFORMANCE

- Assembly in just a few steps:
half of the set is pre-assembled
- Reduced frustration – no lever in the way of the screws,
no awkward clipping, no loose parts
- Pre-assembled square spindle aligned and ready to go

PERFORMANCE PARTS

ROBUST ENGINEERING FOR THE PERFECT FIT

- Tried and tested screw-on rose technology
- Firm connection between rose and lever
- Suitable for a range of door thicknesses thanks to
long support lugs (standard 35 - 75 mm)

TESTED PERFORMANCE, CERTIFIED QUALITY

- Category of use 4, tested according to DIN EN 1906
- Patented and innovative technology

SUSTAINABLE PERFORMANCE

- Plastic-free packaging
- High quality, durable parts made from
stainless steel and zamak

DESIGNS OF STAINLESS STEEL

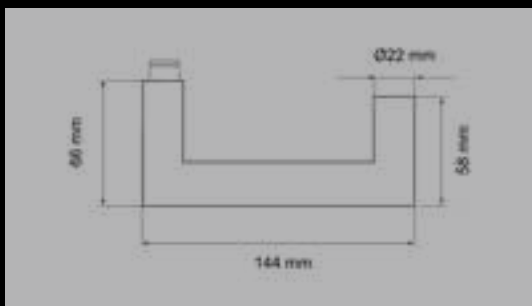
Kos XL EPRO10

Studio Karcher

22 mm
diameter



DESIGNS OF STAINLESS STEEL

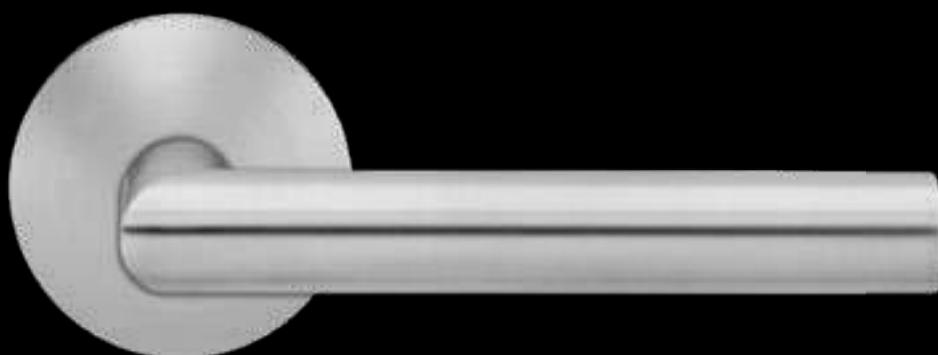


colour:
satin stainless steel
Material:
stainless steel
certification:
GK4
Fire resistance
Emergency doors

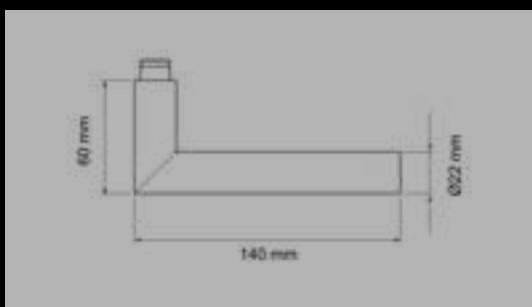
Rhodos XL EPRO18

Studio Karcher

22 mm
diameter



DESIGNS OF STAINLESS STEEL



colour:
satin stainless steel
Material:
stainless steel
certification:
GK4
Fire resistance

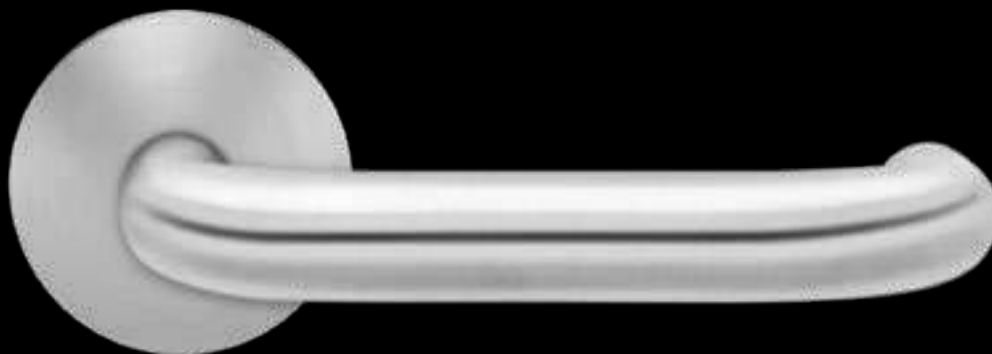
Crete XL EPRO17

Studio Karcher

22 mm
diameter



EPR
PERFORMANCE ROSE



colour:
satin stainless steel
Material:
stainless steel
certification:
GK4
Fire resistance
Emergency doors

DESIGNS OF STAINLESS STEEL

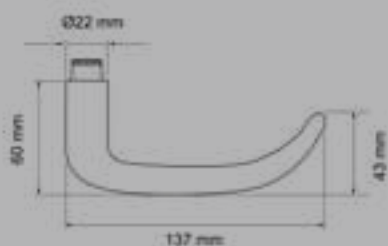
Elba EPRO22

Studio Karcher

22 mm
diameter



EPR
PERFORMANCE ROSE



colour:
satin stainless steel
Material:
stainless steel
certification:
GK4
Fire resistance
Emergency doors

DESIGNS OF STAINLESS STEEL

COLOUR



71
satin stainless
steel



72
polished stain-
less steel



78
polished
zirconium

FRAME DOOR RANGE

Karcher Design also offers a matching range of sprung handles for frame doors. Definitely the right choice for your frame doors. Available as an RL or 4P variant.





ER28RM PZO 71
satin stainless steel








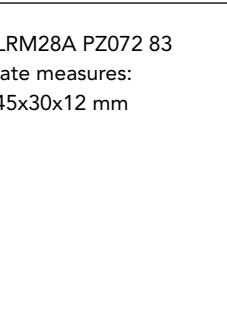




COLOUR



83
cosmos black

PRODUCTS FOR FRAME DOORS

				
EZ149V 26 71 Rose: 65x30x10 mm ED27 71	EZ149V 26 71 Rose: 65x30x10 mm ED28 71		EZ149QV 26 71 satin stainless steel	EZ149V 26 71 satin stainless steel
				
EZ149QV 26 71 Rose: 65x30x10 mm ED46 71	EZ149V 26 71 Rose: 65x30x10 mm ED37R 71		EZ149Q PZ 71 satin stainless steel	EZ149 PZ 71 satin stainless steel
				
			EZ149Q BL 71 satin stainless steel	EZ149 BL 71 satin stainless steel

				
EZ149QV 26 83 Rose: 65x30x10 mm ED28 83	EZ149V 26 83 Rose: 65x30x10 mm ED28 83		EZ149QV 26 83 cosmos black	EZ149V 26 83 cosmos black
				
EZ149QV 26 83 Rose: 65x30x10 mm ED46 83	EZ149V 26 83 Rose: 65x30x10 mm ED37R 83		EZ149Q PZ 83 cosmos black	EZ149 PZ 83 cosmos black
				
			EZ149Q BL 83 cosmos black	EZ149 BL 83 cosmos black



LEVERS ON PLATE

All plates can be combined with all Karcher Design door handle models.
Pages 158/159 only show example combinations.



RLE46 PZ072 83
Plate measures:
260x52x10 mm



RLE28 BB072 83
Plate measures:
260x52x10 mm



RLE28 PZ072 83
Plate measures:
260x52x10 mm

RLE46 PZ072 83 |
cosmos black



reddot award 2019
winner

KARCHER
DESIGN

RANGE OF LEVER HANDLES ON PLATE



RL35 PZ072 65
Plate measures: 242x46,5x10 mm



RL37 PZ072 60
Plate measures: 242x46,5x10 mm



RL38 PZ072 65
Plate measures: 242x46,5x10 mm



RLE28 PZ072 71
Plate measures: 260x52x10 mm



RLE48 PZ072 71
Plate measures: 260x52x10 mm



RLE48 PZ072 73
Plate measures: 260x52x10 mm



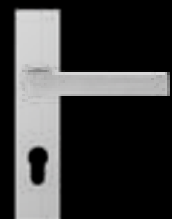
ELX PZ72 71
Plate measures: 200x40x10 mm
ED27 71



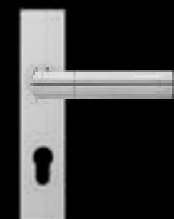
ELX PZ72 71
Plate measures: 200x40x10 mm
ED28 71



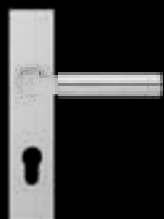
ELX PZ72 71
Plate measures: 200x40x10 mm
ED25 71



ELXQ PZ72 71
Plate measures: 200x40x10 mm
ED46 71



ELXQ PZ72 71
Plate measures: 200x40x10 mm
ED48 71



ELXQ PZ72 71
Plate measures: 200x40x10 mm
ED31 71



PULL HANDLES

SIMPLY ELEGANT, FUNCTIONAL
AND AESTHETIC

KARCHER DESIGN offers a wide range of pull handles for a wide range of requirements in Cosmos Black, matt stainless steel and Titan Grey.

ES3 500 83 | cosmos black



reddot award 2019
winner

KARCHER
DESIGN

PULL HANDLES



ES3 600 71
T-shape
satin stainless steel



ES6Q 600 71
T-shape
satin stainless steel



ES13Q 600 71
T-shape
satin stainless steel



ES46 400 71
straight
satin stainless steel



ES3 600 83
T-shape
cosmos black



ES6Q 600 83
T-shape
cosmos black



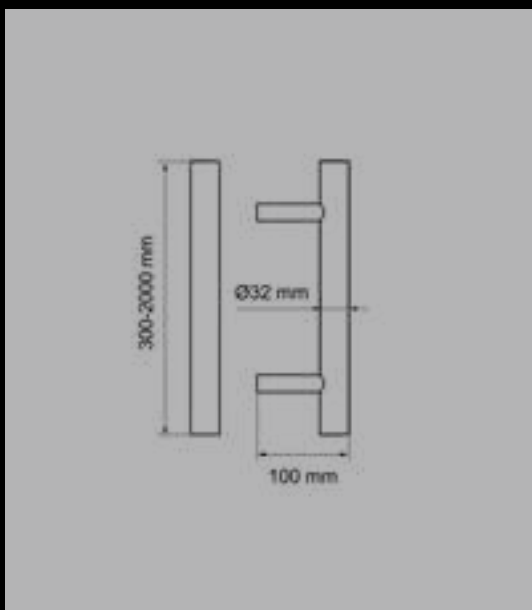
ES46 400 83
straight
cosmos black



ES46 300 89
straight
titan grey

ES3

Studio Karcher



position
centered

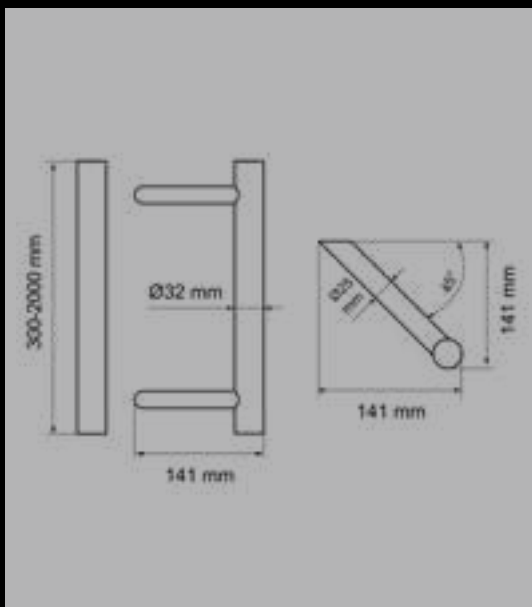
colour:
satin stainless steel

Material:
stainless steel

article no.	length	centre-to-centre
ES3 300 71	300	200 mm
ES3 400 71	400	250 mm
ES3 500 71	500	300 mm
ES3 600 71	600	400 mm
ES3 700 71	700	500 mm
ES3 800 71	800	600 mm
ES3 1000 71	1000	800 mm
ES3 1200 71	1200	1000 mm
ES3 1400 71	1400	1200 mm
ES3 1600 71	1600	1400 mm
ES3 1800 71	1800	1500 mm
ES3 2000 71	2000	1600 mm

ES3G

Studio Karcher



position
cranked 45°

colour:
satin stainless steel

Material:
stainless steel

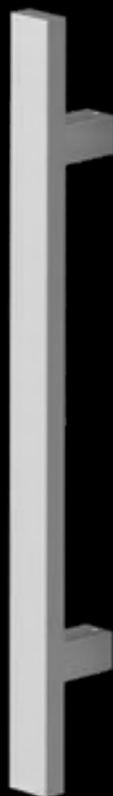
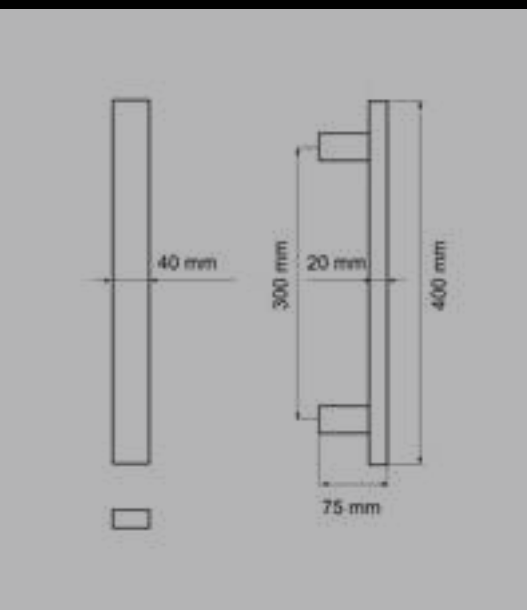
article no.	length	centre-to-centre
ES3G 300 71	300	200 mm
ES3G 400 71	400	250 mm
ES3G 500 71	500	300 mm
ES3G 600 71	600	400 mm
ES3G 700 71	700	500 mm
ES3G 800 71	800	600 mm
ES3G 1000 71	1000	800 mm
ES3G 1200 71	1200	1000 mm
ES3G 1400 71	1400	1200 mm
ES3G 1600 71	1600	1400 mm
ES3G 1800 71	1800	1500 mm
ES3G 2000 71	2000	1600 mm

DESIGNS OF STAINLESS STEEL

DESIGNS OF STAINLESS STEEL

ES6Q

Studio Karcher



position
centered

colour:
satin stainless steel

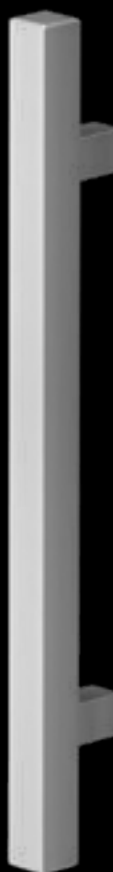
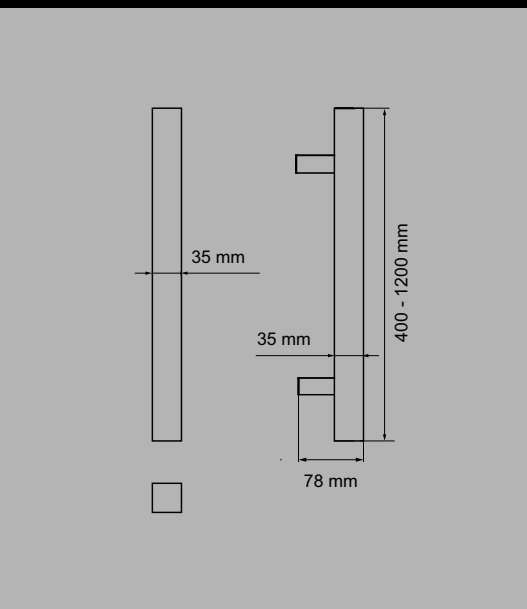
Material:
stainless steel

article no.	length	centre-to-centre
ES6Q 400 71	400	300 mm
ES6Q 600 71	600	400 mm
ES6Q 800 71	800	600 mm
ES6Q 1000 71	1000	800 mm

DESIGNS OF STAINLESS STEEL

ES13Q

Studio Karcher



position
centered

colour:
satin stainless steel

Material:
stainless steel

article no.	length	centre-to-centre
ES13Q 400 71	400	250 mm
ES13Q 600 71	600	400 mm
ES13Q 800 71	800	600 mm
ES13Q 1000 71	1000	800 mm
ES13Q 1200 71	1200	1000 mm

DESIGNS OF STAINLESS STEEL

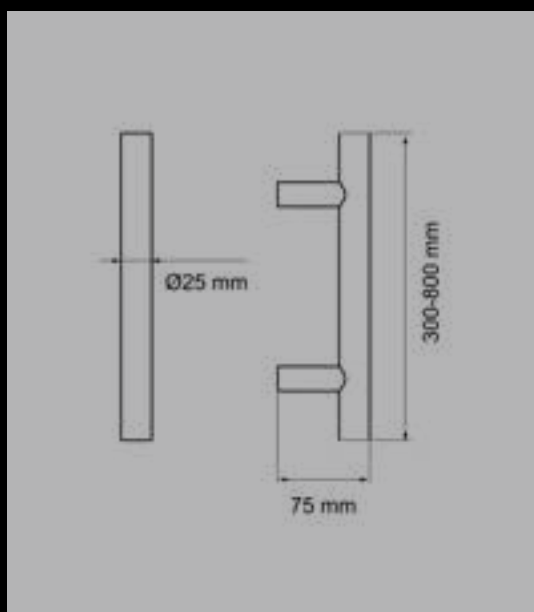
ES8

Studio Karcher

position
centered

colour:
satin stainless steel

Material:
stainless steel



article no.	length	centre-to-centre
ES8 300 71	300	200 mm
ES8 400 71	400	250 mm
ES8 500 71	500	300 mm
ES8 600 71	600	400 mm
ES8 700 71	700	500 mm
ES8 800 71	800	600 mm

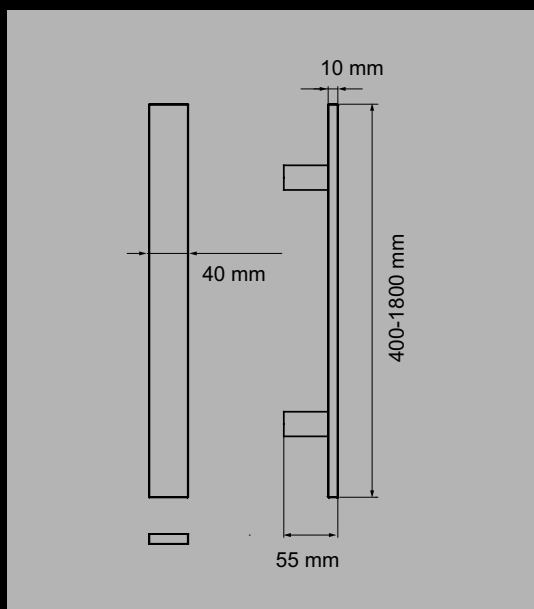
ES11

Studio Karcher

position
centered

colour:
satin stainless steel

Material:
stainless steel



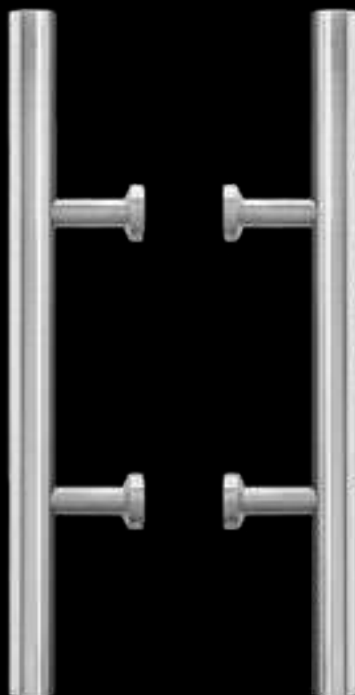
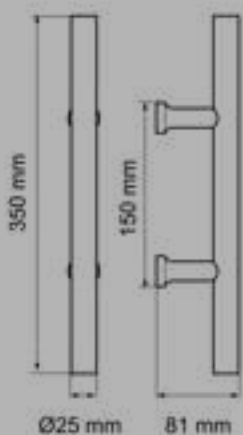
article no.	length	centre-to-centre
ES11 400 71	400	250 mm
ES11 800 71	800	600 mm
ES11 1800 71	1800	750 mm

DESIGNS OF STAINLESS STEEL

DESIGNS OF STAINLESS STEEL

ES4P

Studio Karcher



position
centered

colour:
satin stainless steel

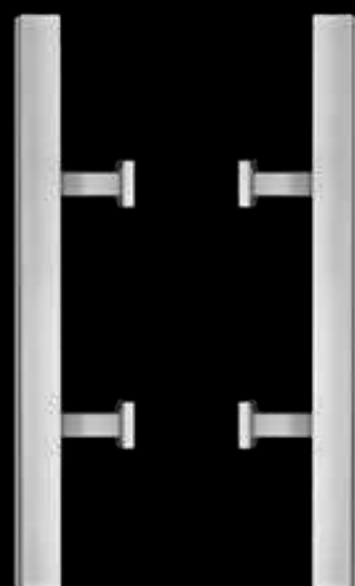
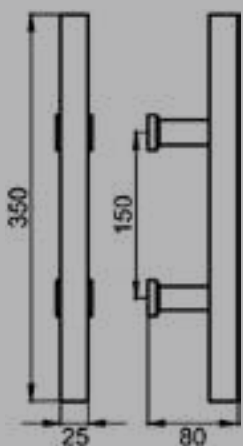
Material:
stainless steel

article no.	length	centre-to-centre
ES4P 350 71	350	150 mm
ES4P 500 71	500	300 mm
ES4P 700 71	700	500 mm
ES4PS 350 71	350	150 mm
ES4PS 500 71	350	300 mm
ES4PS 700 71	700	500 mm

pair of pull handles T-shape

ES5PQ

Studio Karcher



position
centered

colour:
satin stainless steel

Material:
stainless steel

article no.	length	centre-to-centre
ES5PQ 350 71	350	150 mm
ES5PQS 350 71	350	150 mm

pull handle T-shape, square cross section

DESIGNS OF STAINLESS STEEL

DESIGNS OF STAINLESS STEEL

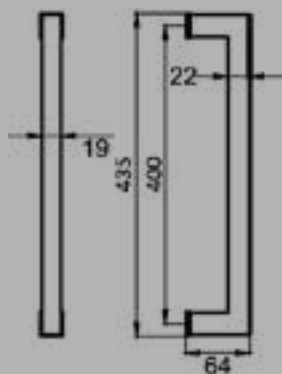
ES46 Seattle

Studio Karcher

position
centered

colour:
satin stainless steel

Material:
stainless steel



article no.	length	centre-to-centre
ES46 300 71	325	300 mm
ES46 400 71	425	400 mm

DESIGNS OF STAINLESS STEEL

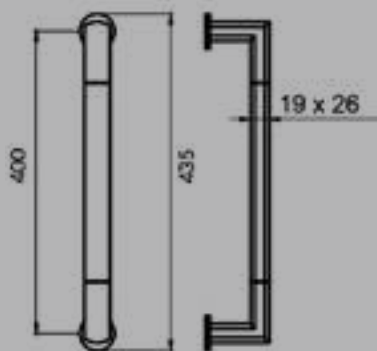
ES48 Oregon

Studio Karcher

position
centered

colour:
satin stainless steel

Material:
stainless steel



article no.	length	centre-to-centre
ES48 300 71	400	300 mm
ES48 400 71	435	400 mm

DESIGNS OF STAINLESS STEEL

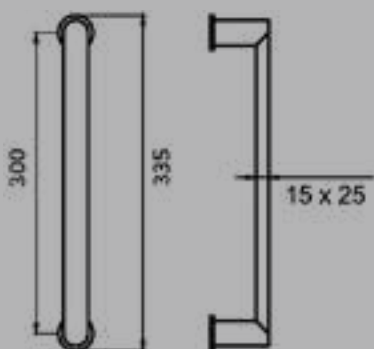
ES51 London

Studio Karcher

position
centered

colour:
satin stainless steel

Material:
stainless steel



article no.	length	centre-to-centre
ES51 300 71	335	300 mm
ES51 400 71	435	400 mm

DESIGNS OF STAINLESS STEEL

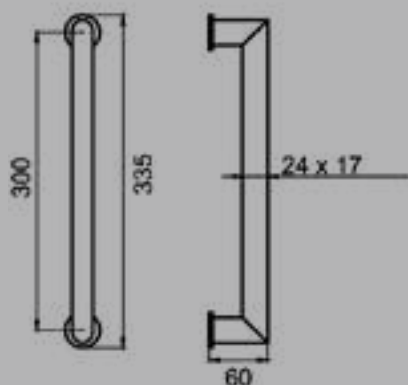
ES37 Verona

Studio Karcher

position
centered

colour:
satin stainless steel

Material:
stainless steel



article no.	length	centre-to-centre
satin stainless steel		
ES37 300 71	335	300 mm
satin / polished stainless steel		
ES37 300 73	335	300 mm

position
centered

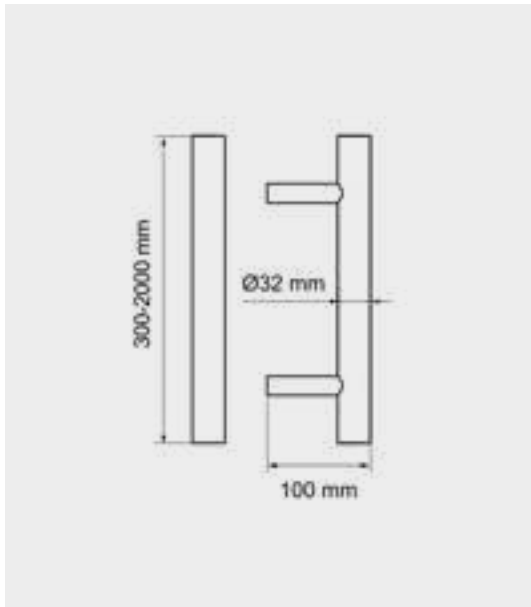
colour:
satin / polished stainless steel

Material:
stainless steel

DESIGNS OF STAINLESS STEEL

ES3

Studio Karcher



position
centered

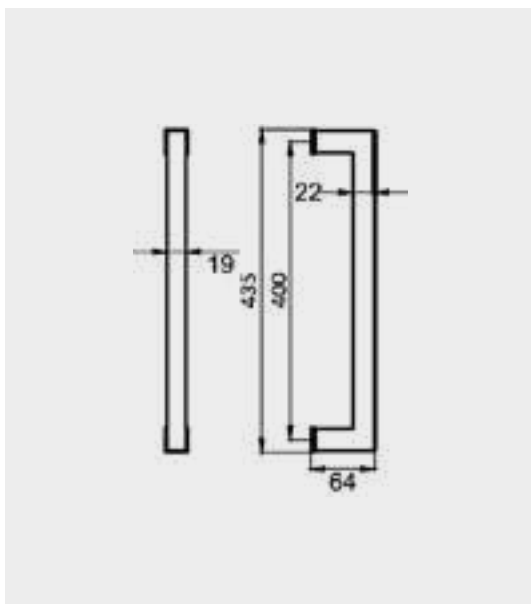
colour:
cosmos black

Material:
stainless steel

article no.	length	centre-to-centre
ES3 300 83	300	200 mm
ES3 400 83	400	250 mm
ES3 500 83	500	300 mm
ES3 600 83	600	400 mm
ES3 800 83	800	600 mm
ES3 1000 83	1000	800 mm
ES3 1200 83	1200	1000 mm
ES3 1400 83	1400	1200 mm
ES3 1800 83	1800	1500 mm
ES3 2000 83	2000	1600 mm

ES46 Seattle

Studio Karcher



position
centered

colour:
cosmos black

Material:
stainless steel

article no.	length	centre-to-centre
ES46 300 83	325	300 mm
ES46 400 83	425	400 mm

DESIGNS OF STAINLESS STEEL

DESIGNS OF STAINLESS STEEL

ES6Q

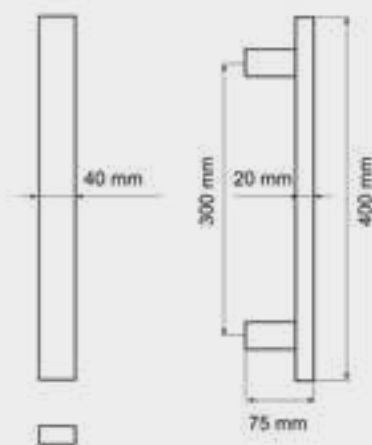
Studio Karcher

position
centered

colour:
cosmos black

Material:
stainless steel

article no.	length	centre-to-centre
ES6Q 400 83	400	300 mm
ES6Q 600 83	600	400 mm
ES6Q 800 83	800	600 mm
ES6Q 1000 83	1000	800 mm



DESIGNS OF STAINLESS STEEL

ES46 Seattle

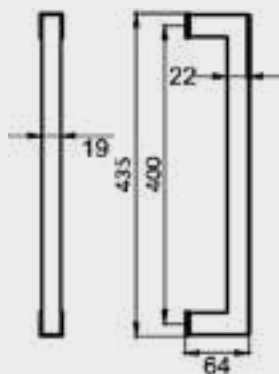
Studio Karcher

position
centered

colour:
titan grey

Material:
stainless steel

article no.	length	centre-to-centre
ES46 300 89	325	300 mm
ES46 400 89	425	400 mm



DESIGNS OF STAINLESS STEEL

WINDOW HANDLES

FOR MODERN
TILT AND TURN WINDOWS

The full range of KARCHER DESIGN's
stylish lever models are also available
as window handles.

EF544 89 | titan grey

WINDOW HANDLES

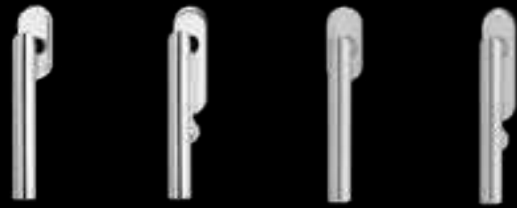


EF544 83
turn before
tilt 4-position
ratchet

EF544 EAR 83
lockable with
key

EF554 83
turn before
tilt 4-position
ratchet

EF554 EAR 83
lockable with
key



EF284 72
turn before
tilt 4-position
ratchet

EF284 EAR 72
lockable with
key

EF284 71
turn before
tilt 4-position
ratchet

EF284 EAR 71
lockable with
key



EF464Q 83
turn before
tilt 4-position
ratchet

EF464 EARQ 83
lockable with key

EF464Q 89
turn before
tilt 4-position
ratchet

EF544 89
turn before
tilt 4-position
ratchet



EF464Q 71
turn before
tilt 4-position
ratchet

EF464 EARQ 71
lockable with
key

EF544Q 71
turn before
tilt 4-position
ratchet

EF544 EARQ 71
lockable with
key



EF244 83
turn before
tilt 4-position
ratchet

EF244 EAR 83
lockable with
key

EF454 83
turn before
tilt 4-position
ratchet

EF454 EAR 83
lockable with
key



EF344 73
turn before
tilt 4-position
ratchet

EF344 EAR 73
lockable with
key

LOCKABLE
VERSION (EAR/Q)
WITH CONCEALED
CYLINDER

AVAILABLE FOR
TILT AND TURN WINDOWS



LIFT AND SLIDE DOOR HANDLES



EHSSET28 UN 81
oil rubbed bronze



EHSSET28 UN 83
cosmos black



EHSSET28 UN 89
titan grey



EHSSET28 UN 71
satin stainless steel



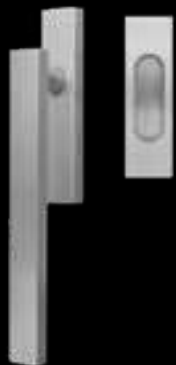
EHSSET52Q UN 81
oil rubbed bronze



EHSSET52Q UN 83
cosmos black



EHSSET52Q UN 89
titan grey



EHSSET52Q UN 71
satin stainless steel



EHSSET45 UN 83
cosmos black



EHSSET45 UN 71
satin stainless steel

MORTISE LOCKS

KARCHER DESIGN mortise locks, with a whisper or magnetic latch, are available with a matching forend in matt stainless steel, polished stainless steel and cosmos black finishes. Another small touch, individually adapted to your interior design.



DESIGNS OF STAINLESS STEEL

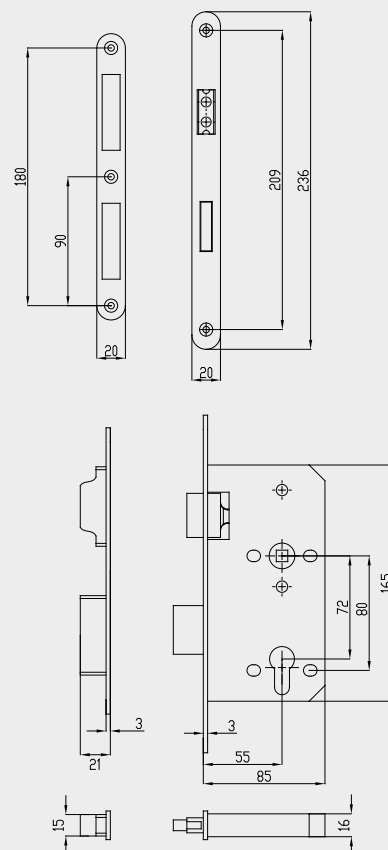
KARCHER
DESIGN

MAGNETIC LOCKS



MAGNETIC LOCK
incl. strike plate
satin stainless steel
S8 OS MS 71
S8 BAD MS 71
S8 PZ MS 71
S8 BB MS 71

MAGNETIC LOCK
incl. strike plate
cosmos black
S8 OS MS 83
S8 BAD MS 83
S8 PZ MS 83
S8 BB MS 83



MORTISE LOCKS



MORTISE LOCK
incl. strike plate
satin stainless steel
S10 EUMO OS 71
S10 EUMO BAD 71
S10 EUMO PZ 71

MORTISE LOCK
incl. strike plate
polished stainless steel
S10 EUMO OS 72
S10 EUMO BAD 72
S10 EUMO PZ 72

MORTISE LOCK
incl. strike plate
cosmos black
S10 EUMO OS 83
S10 EUMO BAD 83
S10 EUMO PZ 83

DESIGNS OF STAINLESS STEEL

POCKET DOOR SET



EPD 83 turn/release
cosmos black



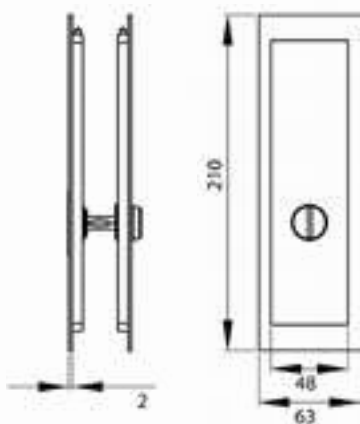
EPD PB 83 lockable from both sides
cosmos black



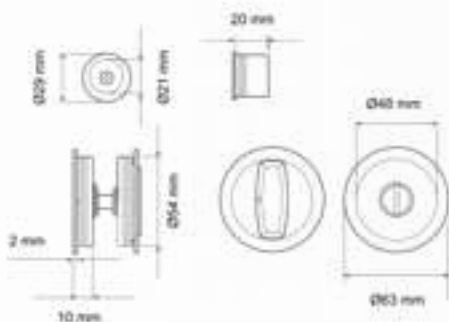
EPD OS 83 non-lockable
cosmos black



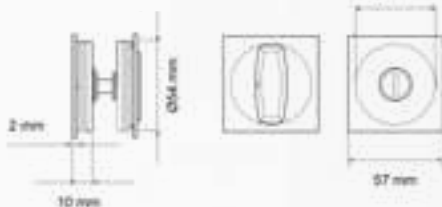
EPD BB 83 keyhole
cosmos black



EPDQ 2



EPD



EPDQ



EPD 81
oil rubbed
bronze

ATTENTION: Drawings displayed DO NOT correspond to the milling dimensions !

DESIGNS OF STAINLESS STEEL

POCKET DOOR SET



EPD3 71 turn/release
satin stainless steel



EPDQ 3 71 turn/release
satin stainless steel



EPDQ 2 71 turn/release
satin stainless steel



EPD3 72 turn/release
polished stainless steel



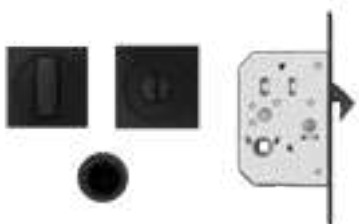
EPDQ 3 72 turn/release
polished stainless steel



EPDQ 2 OS 72 non-lockable
polished stainless steel



EPD3 83 turn/release
cosmos black



EPDQ 3 83 turn/release
cosmos black



EPDQ 2 83 turn/release
cosmos black



EPD3 81 turn/release
oil rubbed bronze

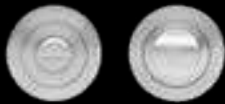


EPDQ 3 81 turn/release
oil rubbed bronze



ROSES AND ESCUTCHEONS

VERSION



CEZ1332 BAD 71
satin stainless steel



CEZ1333 BAD 71
satin stainless steel



CEZ1337 BAD 71
satin stainless steel



CEZ1334 BAD 71
satin stainless steel



CEZ1332 BB 71 EZ1340 BB 71
satin stainless steel satin stainless steel



CEZ1332 PZ 71 EZ1340 PZ 71
satin stainless steel satin stainless steel



EZ1332 BL 71 EZ1340 BL 71
satin stainless steel satin stainless steel



EZ1332 KAV 71 EZ1340 KAV 71
satin stainless steel satin stainless steel

MISSION INVISIBLE



EZ140 PZ 71 EZ140Q PZ 71
satin stainless steel satin stainless steel

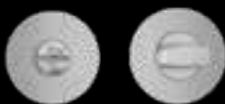


CEZ140 BAD 71
satin stainless steel



CEZ140Q BAD 71
satin stainless steel

plan-design



CEZ180 BAD 71
satin stainless steel



CEZ181 BAD 71
satin stainless steel



CEZ180Q BAD 71
satin stainless steel



CEZ181Q BAD 71
satin stainless steel



EZ180 BB 71 EZ180Q BB 71
satin stainless steel satin stainless steel



EZ180 PZ 71 EZ180Q PZ 71
satin stainless steel satin stainless steel



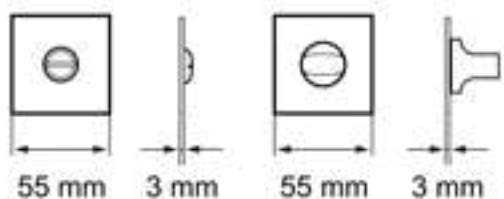
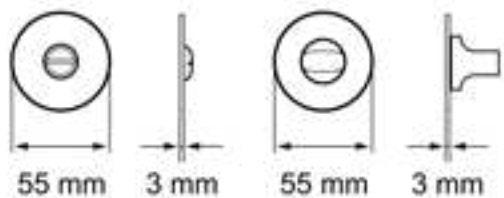
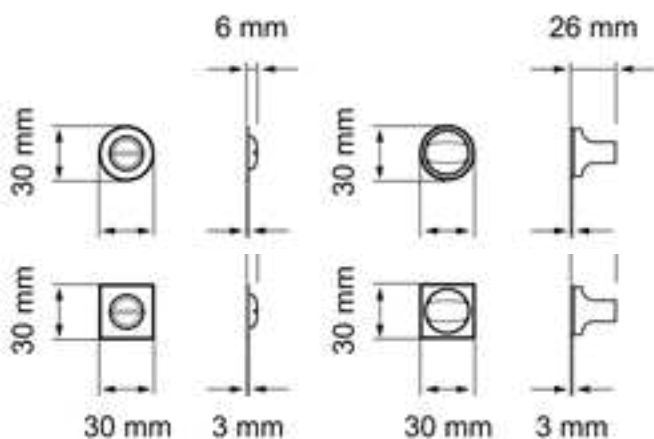
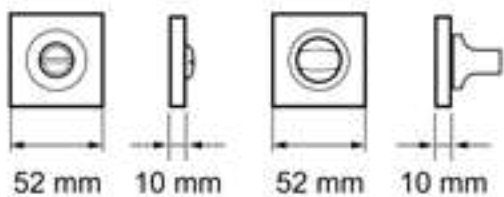
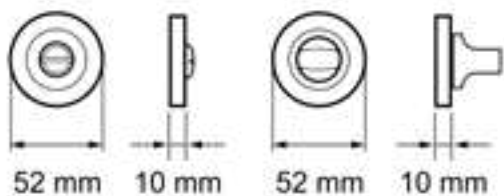
EZ180 BL 71 EZ180Q BL 71
satin stainless steel satin stainless steel



EZ180 KAV 71 EZ180Q KAV 71
satin stainless steel satin stainless steel

DESIGNS OF STAINLESS STEEL

DIM. mm



COLOUR



71 | satin stainless steel



72 | polished stainless steel



73 | satin / polished stainless steel



74 | satin chrome / polished stainless steel



78 | polished zirconium



81 | oil rubbed bronze



83 | cosmos black



89 | titan grey



90 | cosmos black / satin stainless steel



91 | satin stainless steel / cosmos black

DESIGNS OF STAINLESS STEEL

ACCESSORIES

11/a

DESIGNS OF STAINLESS STEEL

ACCESSORIES

DESIGNS OF STAINLESS STEEL



Door stop



Roses and escutcheons

1a

House numbers



Sign "Ladies"



Sliding door handle

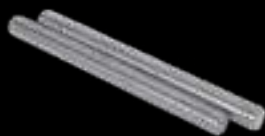


Door knocker

FIXING MATERIAL



Spindles with eccentric hole



pull handle fixing, fixing as pair for timber, PVC and metal doors, 1 set



Drilling and milling templates



care cloth for stainless steel surfaces

KARCHER
DESIGN

ACCESSORIES

DOOR STOP



EZ211 71
satin stainless steel



EZ212 71
satin stainless steel

WALL DOOR STOP



EZ209 71
satin stainless steel



EZ210 71
satin stainless steel



EZ215 71
satin stainless steel



EZ214 71
satin stainless steel



EZ217Q 89
titan grey

COLOUR



EZ217 71
satin stainless steel



EZ217 81
oil rubbed bronze



EZ217 83
cosmos black



EZ217 89
titan grey



EZ217Q 71
satin stainless steel



EZ217Q 81
oil rubbed bronze



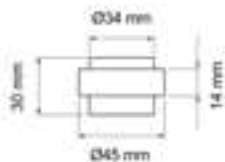
EZ217Q 83
cosmos black



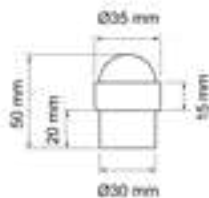
EZ217Q 89
titan grey

ACCESSORIES

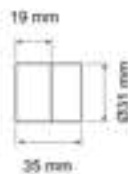
DOOR STOP



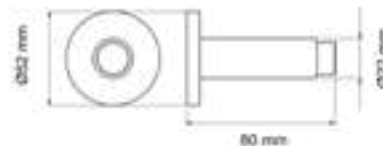
EZ211 71
stainless steel



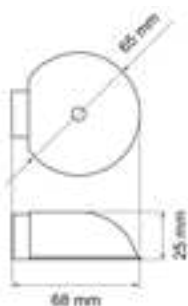
EZ212 71
stainless steel



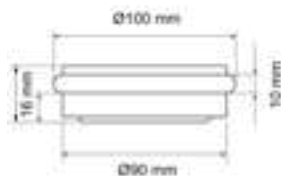
EZ209 71
stainless steel



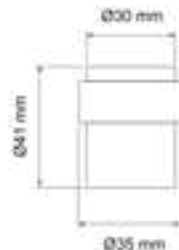
EZ210 71
stainless steel



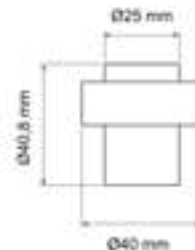
EZ215 71
stainless steel



EZ214 71
stainless steel



EZ217 71
stainless steel



EZ217Q 71
stainless steel

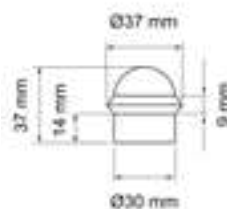
COLOUR



Z1925 50
chrome



Z1925 55
satin chrome



Z1925 50
zamak



Z1925 60
satin nickel



Z1925 83
cosmos black



Z1925 78
polished zirconium

KARCHER
DESIGN

ACCESSORIES

HOUSE NUMBERS



EZ205 0 71
satin stainless steel
height
150 mm

EZ205 1 71
satin stainless steel
height
150 mm

EZ205 2 71
satin stainless steel
height
150 mm

EZ205 3 71
satin stainless steel
height
150 mm

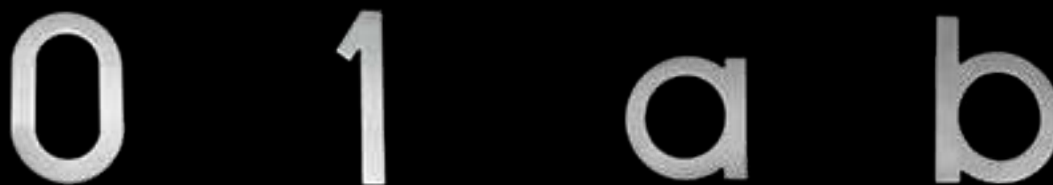


EZ205 A 71
satin stainless steel
height
110 mm

EZ205 B 71
satin stainless steel
height
110 mm

EZ205 C 71
satin stainless steel
height
110 mm

EZ205 / 71
satin stainless steel
height
110 mm



EZ207 0 71
satin stainless steel
height
100 mm

EZ207 1 71
satin stainless steel
height
100 mm

EZ207 A 71
satin stainless steel
height
75 mm

EZ207 B 71
satin stainless steel
height
75 mm

COLOUR



satin stainless steel
71

polished stainless steel
72
(EZ205)

cosmos black
83
(EZ205)



DESIGNS OF STAINLESS STEEL

ACCESSORIES

SIGNS



EZ200 D 71
satin stainless steel
diameter
76 mm

EZ200 H 71
satin stainless steel
diameter
76 mm



DOOR KNOCKER



EZ202 D 71
satin stainless steel
height
120 mm

EZ202 H 71
satin stainless steel
height
120 mm

ET1 71
satin stainless steel
height
140 mm

COLOUR



satin stain-
less steel
71

cosmos
black
83

titan
grey
89

chrome
50

satin
chrome
55

satin
nickel
60

polished
zirconium
78



SLIDING DOOR HANDLE



EZ1702 71
sliding door handle
satin stainless steel



EZ1703Q 71
sliding door handle
satin stainless steel



EZ1603Q 71
sliding door handle
satin stainless steel



EZ1720Q 83
sliding door handle
cosmos black

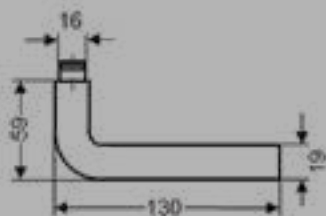
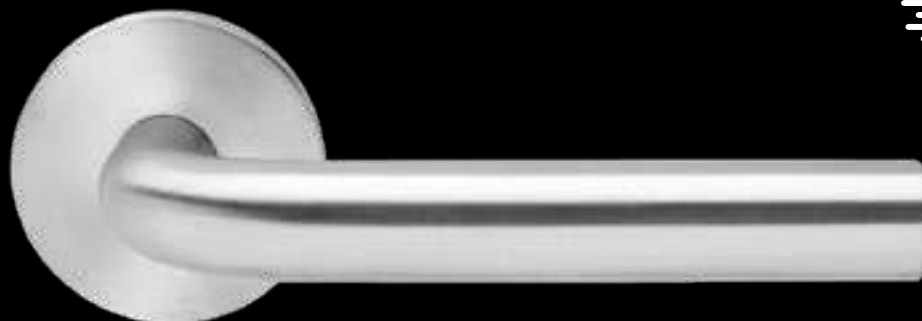


EZ1720Q 89
sliding door handle
titan grey

SLIM STYLE E100

Fast assembly

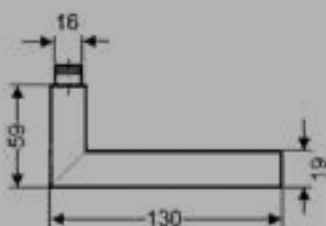
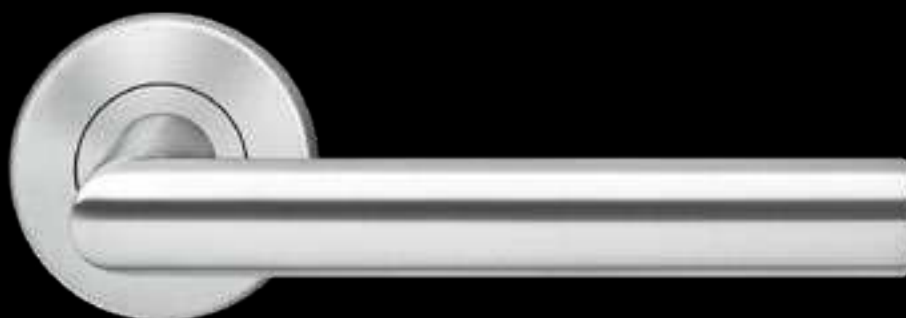
SLIM STYLE



colour:
satin stainless steel
Material:
stainless steel
certification:
GK3

SLIM STYLE E300

Fast assembly



E300B 0S 83 cosmos black

colour:
satin stainless steel
Material:
stainless steel
certification:
GK3
Fire resistance

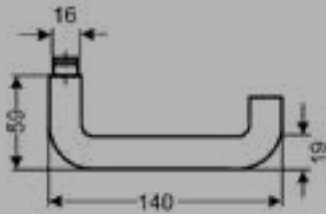
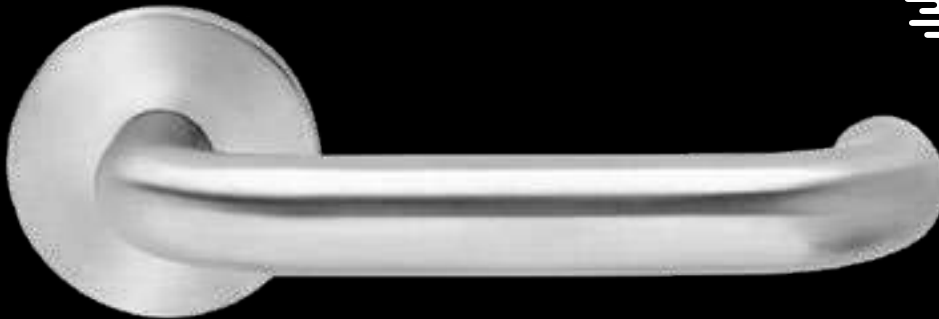
DESIGNS OF STAINLESS STEEL

DESIGNS OF STAINLESS STEEL

SLIM STYLE E200

Fast assembly

SLIM STYLE

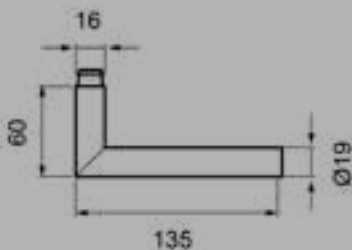


colour:
satin stainless steel
Material:
stainless steel
certification:
GK3
Fire resistance

DESIGNS OF STAINLESS STEEL

SLIM STYLE E400

Fast assembly



colour:
satin stainless steel
Material:
stainless steel
certification:
GK3

DESIGNS OF STAINLESS STEEL

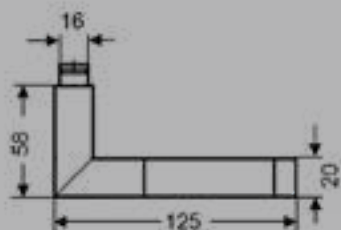
SLIM STYLE E700

Fast assembly

SLIM STYLE



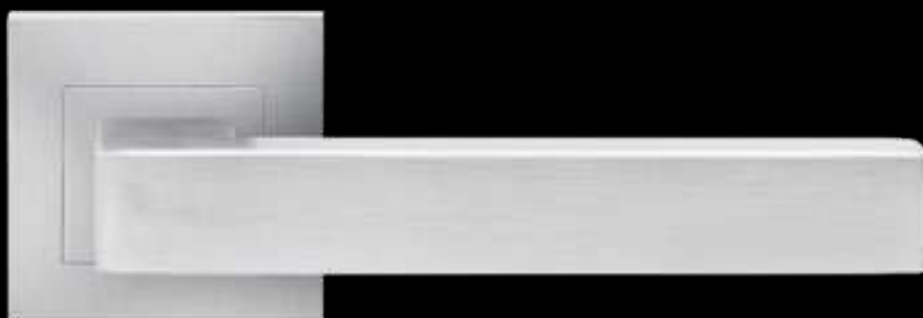
DESIGNS OF STAINLESS STEEL



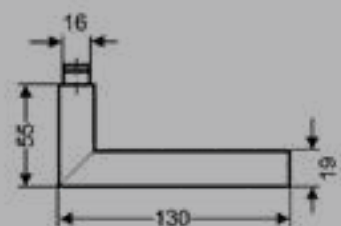
colour:
satin / polished stainless steel

Material:
stainless steel

SLIM STYLE E800Q



DESIGNS OF STAINLESS STEEL



colour:
satin stainless steel
Material:
stainless steel
certification:
GK3



DESIGNS OF STAINLESS STEEL

DESIGNS OF STAINLESS STEEL



Paris | EPL55 PZ0 83 | Plan Design | cosmos black

BLACK EDITION

K < | | >

KARCHER

DESIGN

Karcher GmbH
Raiffeisenstraße 32
74906 Bad Rappenau
G E R M A N Y
Tel.: +49 7264 9164-52
export@karcher-design.de
www.karcher-design.co.uk

